

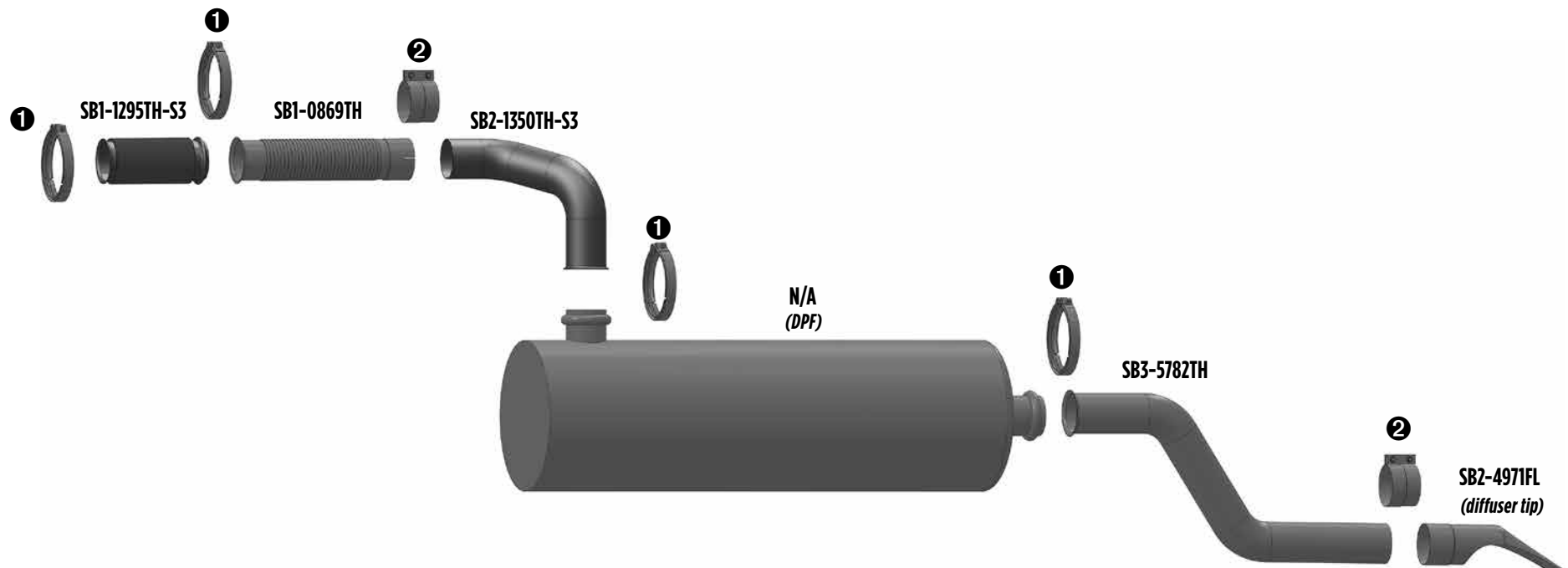
THOMAS SCHOOL BUS APPLICATIONS

**GRAND
ROCK**

TH696 - '07 - '10 6 Cyl. Thomas Rear Engine Pusher w/ Mercedes MBE07 Engine w/ DPF

Clamps

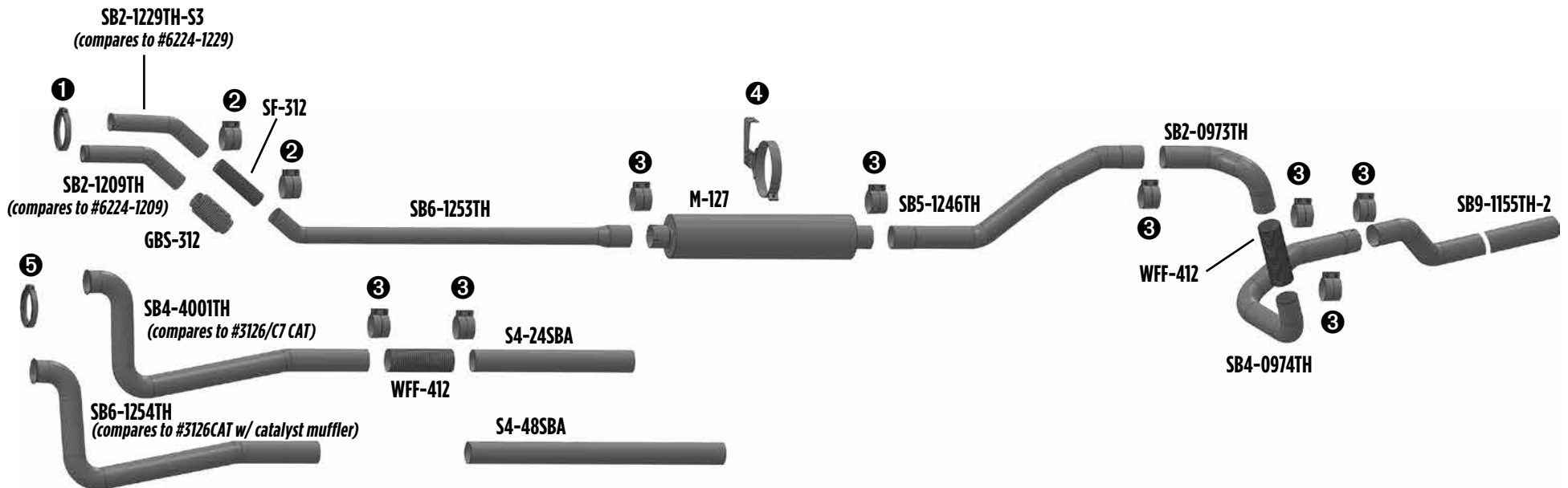
- ① VB-460MB
- ② WFC-4SS



TH697 - '04 - '07 6 Cyl. Thomas MVP E-F, B Series Cummins Engine Forward, CAT 3126 & C7

Clamps

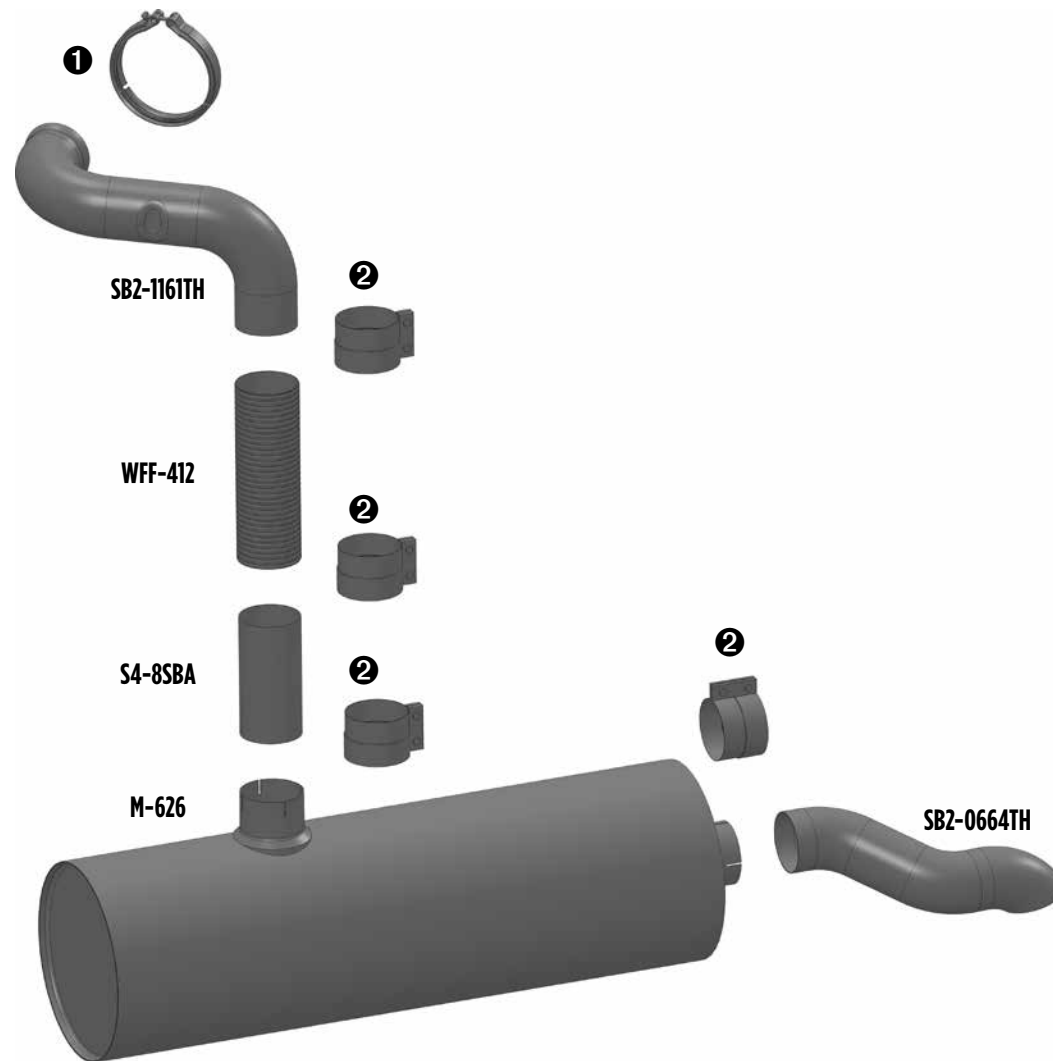
- ① VB-321C
- ② WFC-3SS
- ③ WFC-4SS
- ④ H-THM1249
- ⑤ VB-461D



TH699 - '03 - '07 6 Cyl. Thomas Pusher w/ Mercedes Diesel Engine, SAF-T-LINER

Clamps

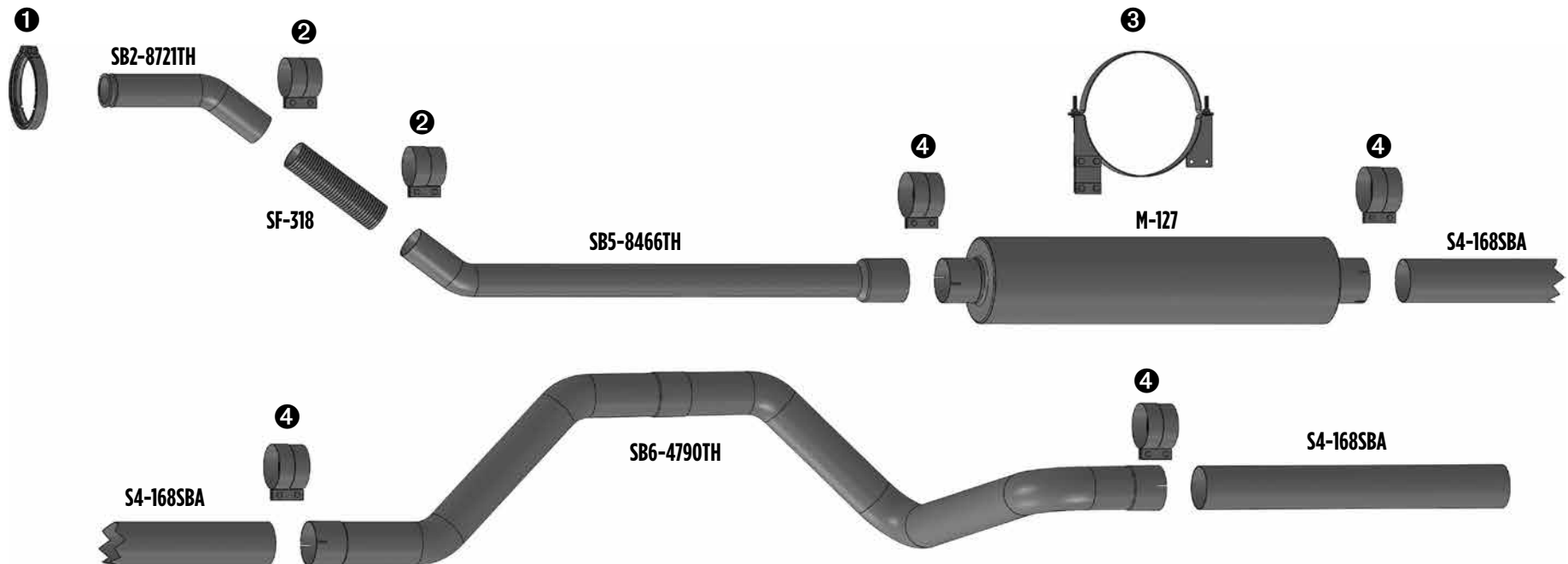
- ① VB-461D
- ② WFC-4SS



TH700 - '98 - '02 6 Cyl. Thomas MVP E-F, B-Series Cummins Engine Forward

Clamps

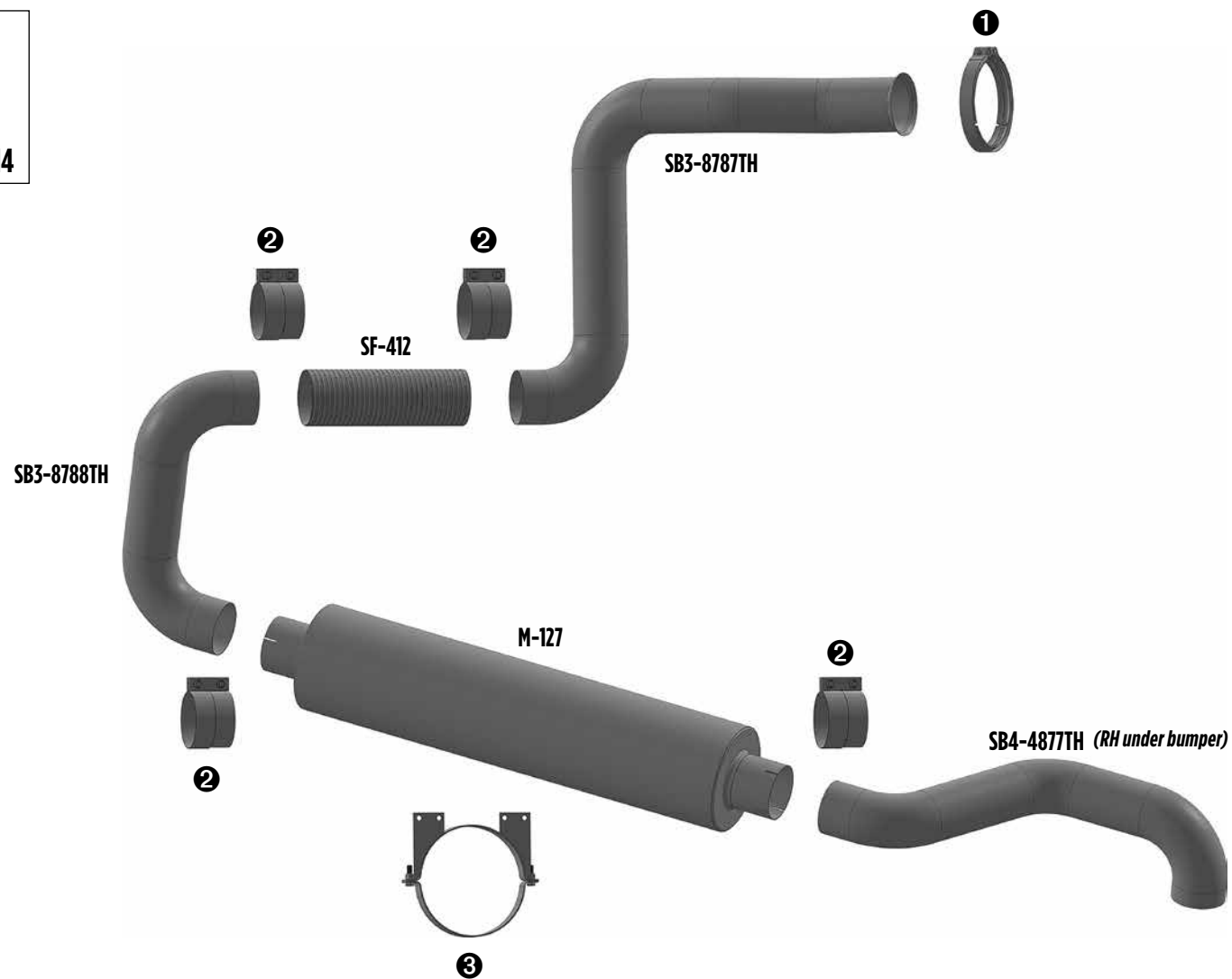
- ① VB-321C
- ② WFC-3SS
- ③ H-THM1
- ④ WFC-4SS



TH701 - '98 - '01 6 Cyl. Thomas Pusher 3126 Cat. Eng.

Clamps

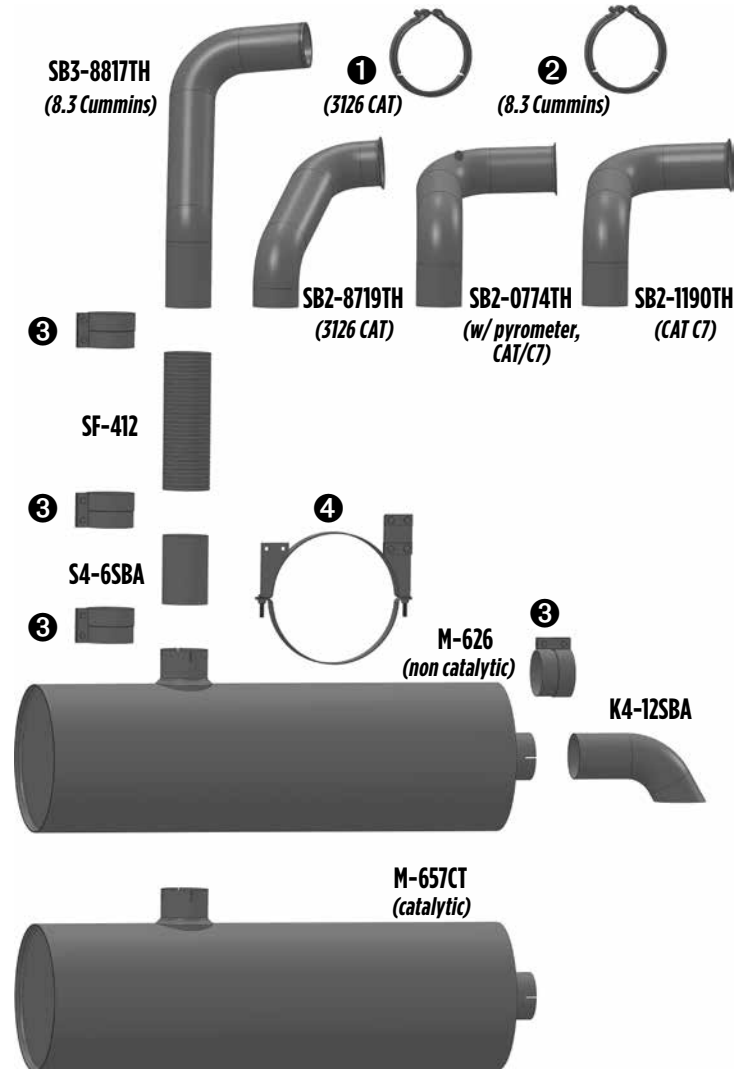
- ① VB-461D
- ② WFC-4SS
- ③ H-THM0514



TH702 - '98 - '01 6 Cyl. SAF-T-Liner w/ 3126, C7 CAT Engine, 8.3L Cummins Engine

Clamps

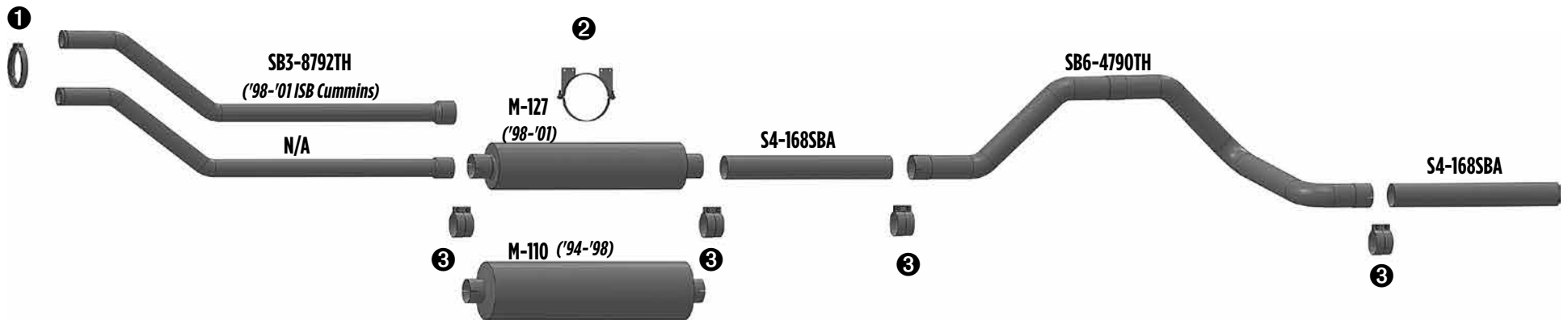
- ① VB-461D
- ② VB-413C
- ③ WFC-4SS
- ④ H-THM2



TH703 - '94 - '01 6 Cyl. Thomas MVP E-F, B-Series Cummins (Non-Catalytic Muffler)

Clamps

- ❶ VB-321C
- ❷ H-THM0514
- ❸ WFC-4SS

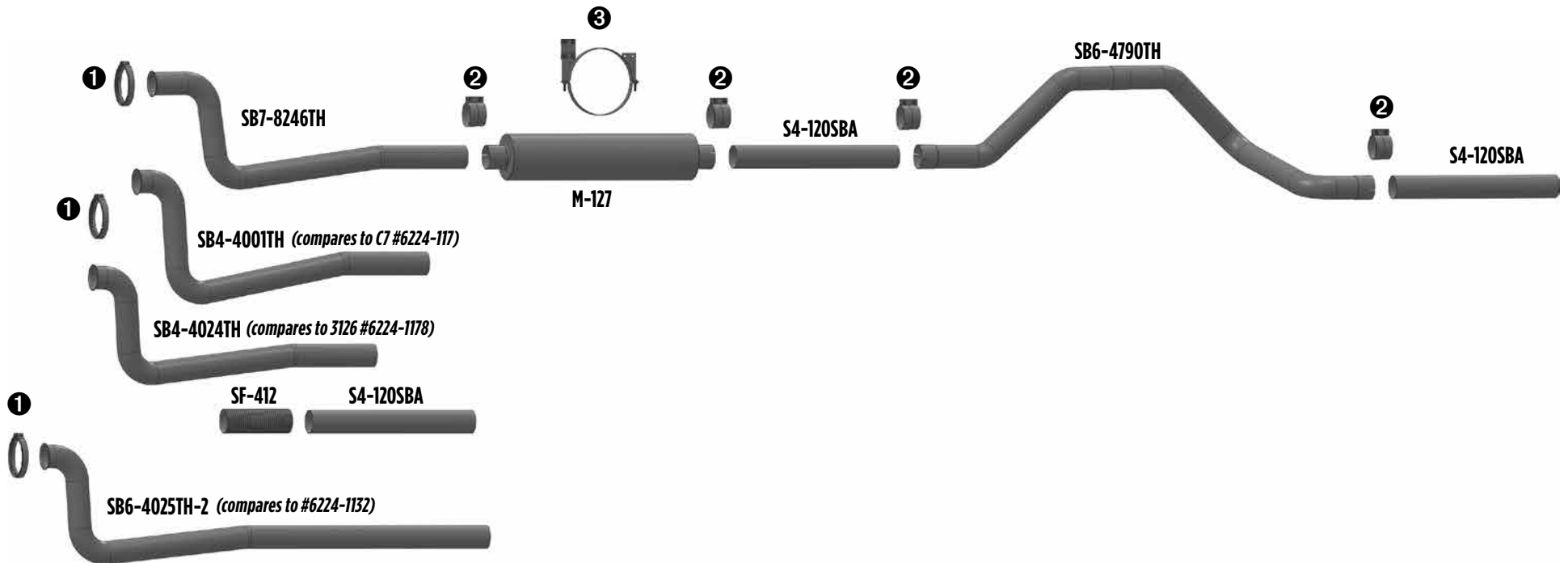


*** SEE PAGES 191 & 192 FOR OVER AXLES AND TAILPIPE OPTIONS**

TH704 - '97 - '00 6 Cyl. Thomas MVP E-F, 3126, C7 Caterpillar Engine Forward

Clamps

- ❶ VB-461D
- ❷ WFC-4SS
- ❸ H-THM1

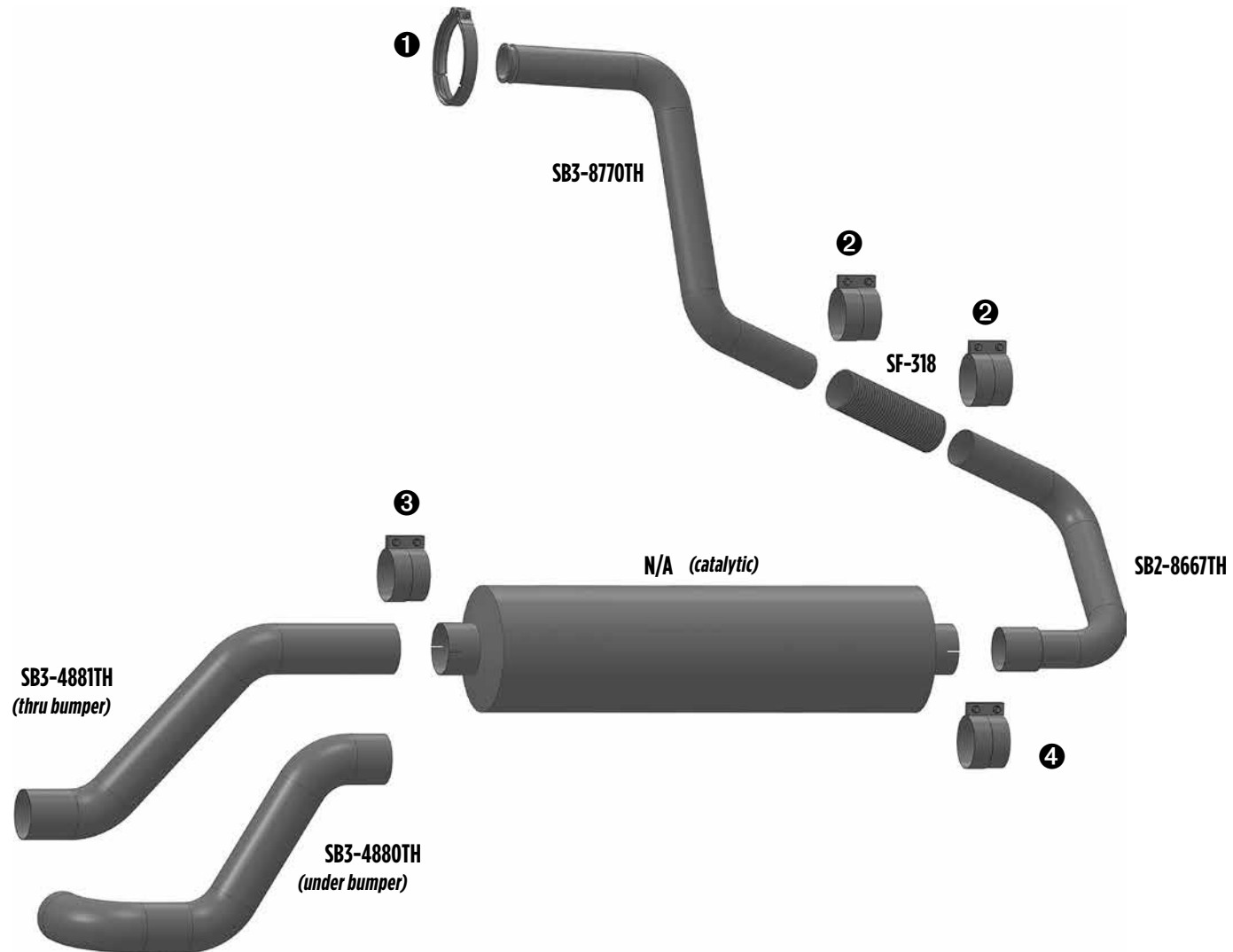


* SEE PAGES 191 & 192 FOR AIR RIDE OVERAXLES AND SIDE EXIT TAILPIPES.
100 GAL. FUEL TANK USE 2 PIECES OVERAXLE PIPES ON PAGES 191 & 192 FOR EASY INSTALLATION

TH705 - '97 - '98 6 Cyl. MVP-ER Model; w/ 5.9L Cummins Turbo Diesel; Rear Eng.; RH Rear Exit Tail Pipe

Clamps

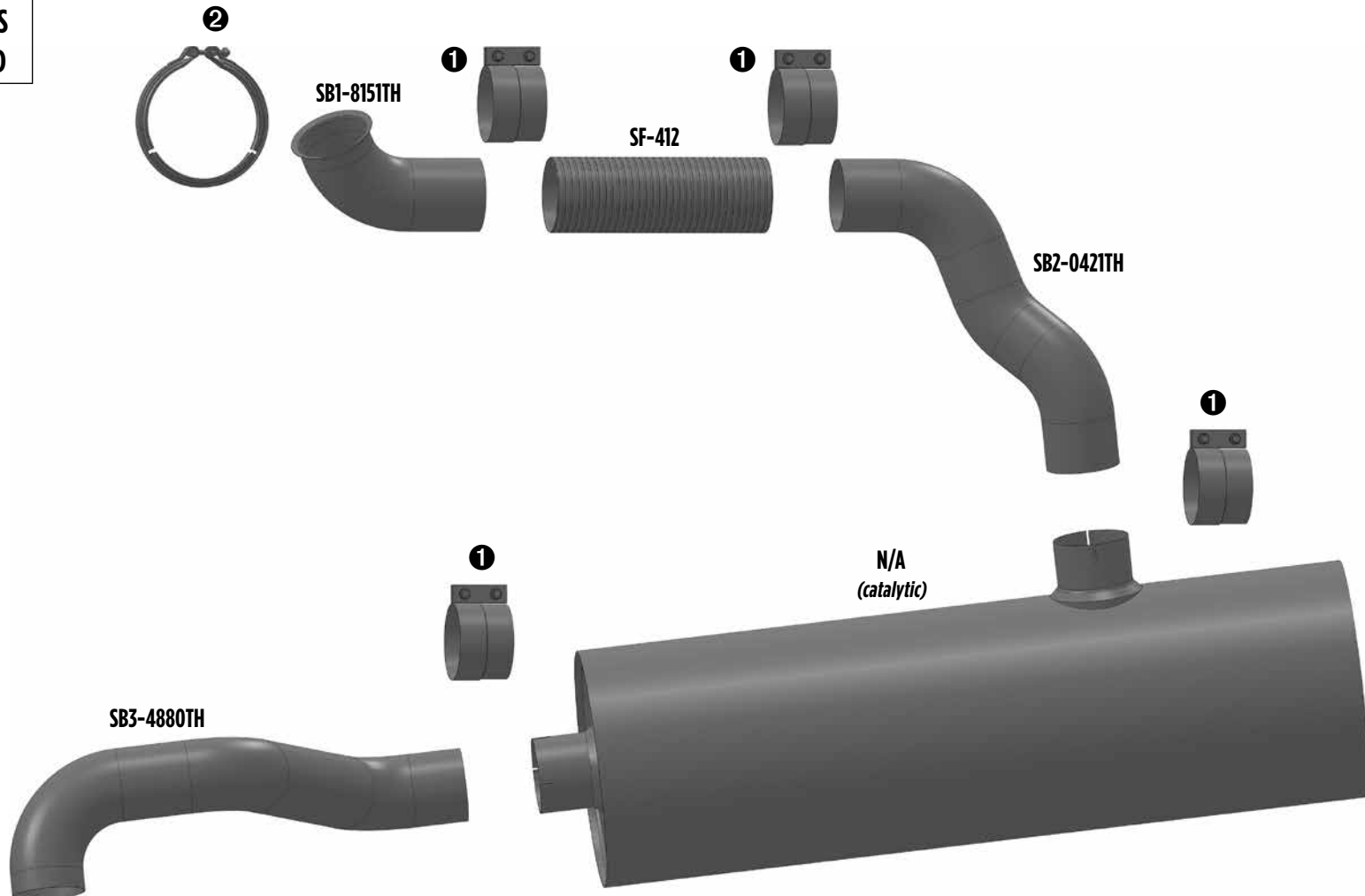
- ① VB-321C
- ② WFC-3SS
- ③ WFC-4SS
- ④ WFC-35SS



TH706 - '94 - '98 MVP-ER Model w/ CAT 3116 Turbo Diesel Rear Engine RH Below Bumper Exit

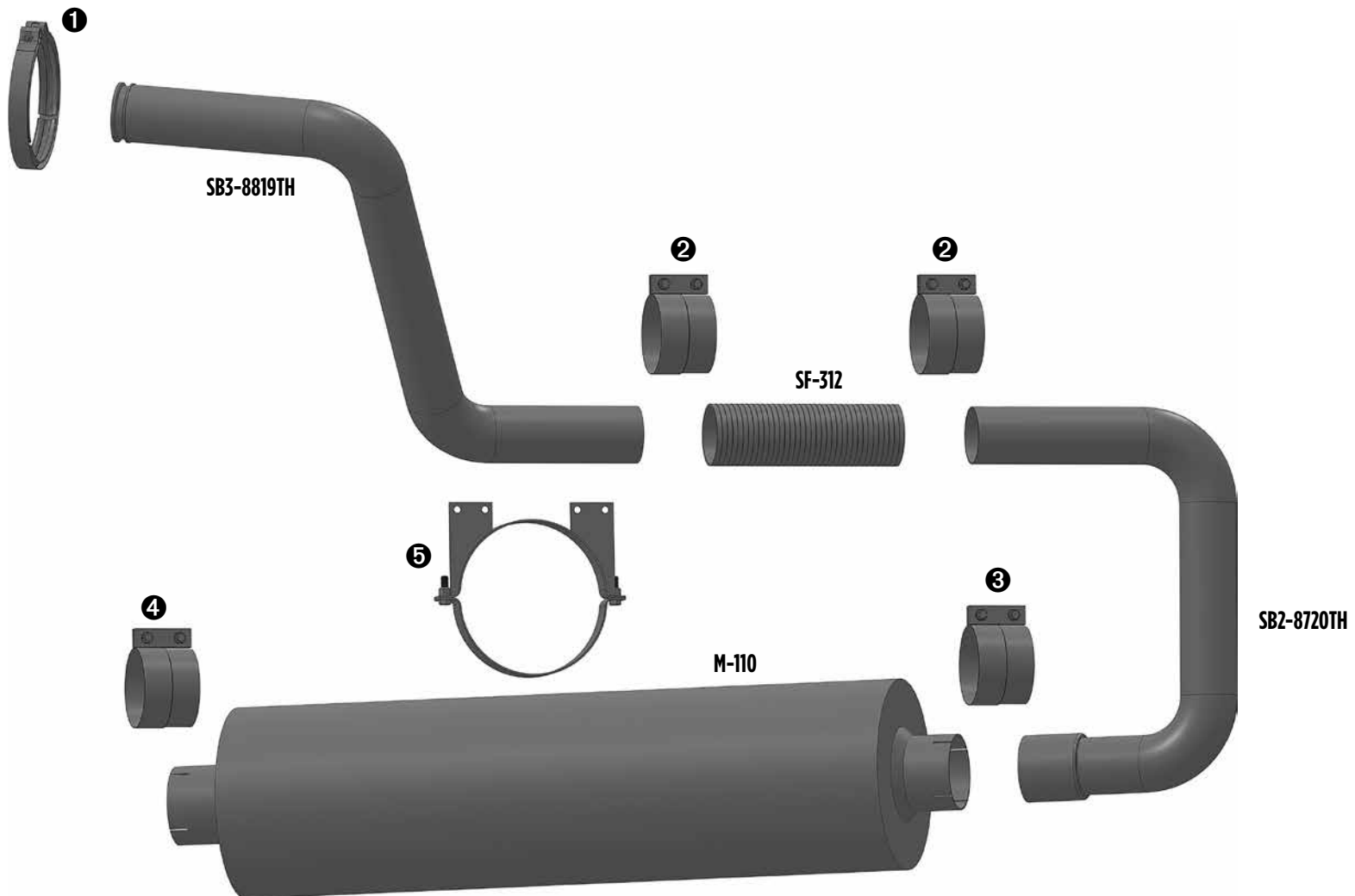
Clamps

- ① WFC-4SS
- ② VB-461D



TH707 - '96 - '98 6 Cyl. Rear Engine Models w/ B-Series Cummins Engine w/ Standard Muffler

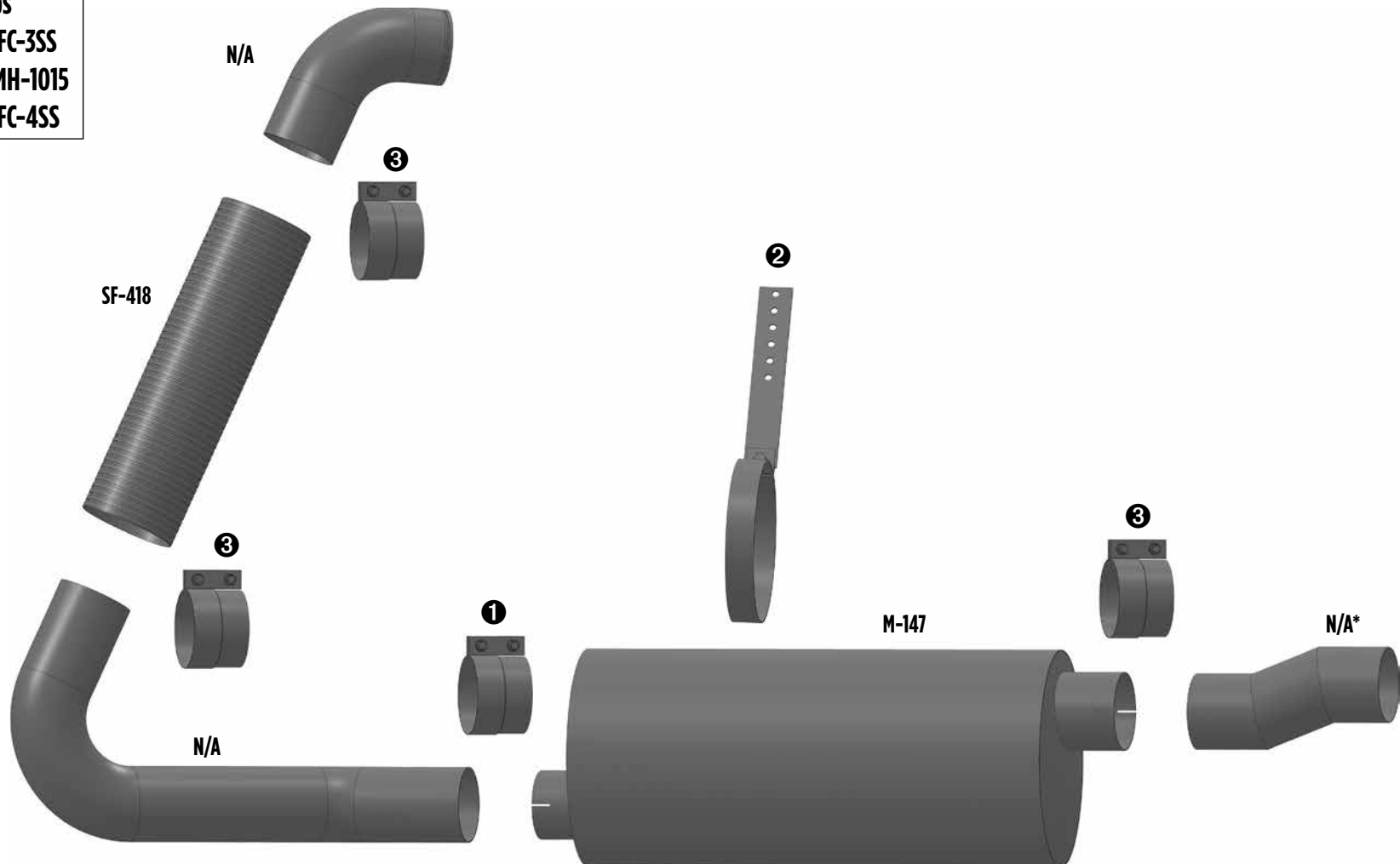
- Clamps
- ① VB-321C
 - ② WFC-3SS
 - ③ WFC-35SS
 - ④ WFC-4SS
 - ⑤ H-THM0514



TH709 - '90 - '93 6 Cyl. Saf-T-Liner w/ 6V92 Rear Engine Model; Rear Exit Tail Pipe

Clamps

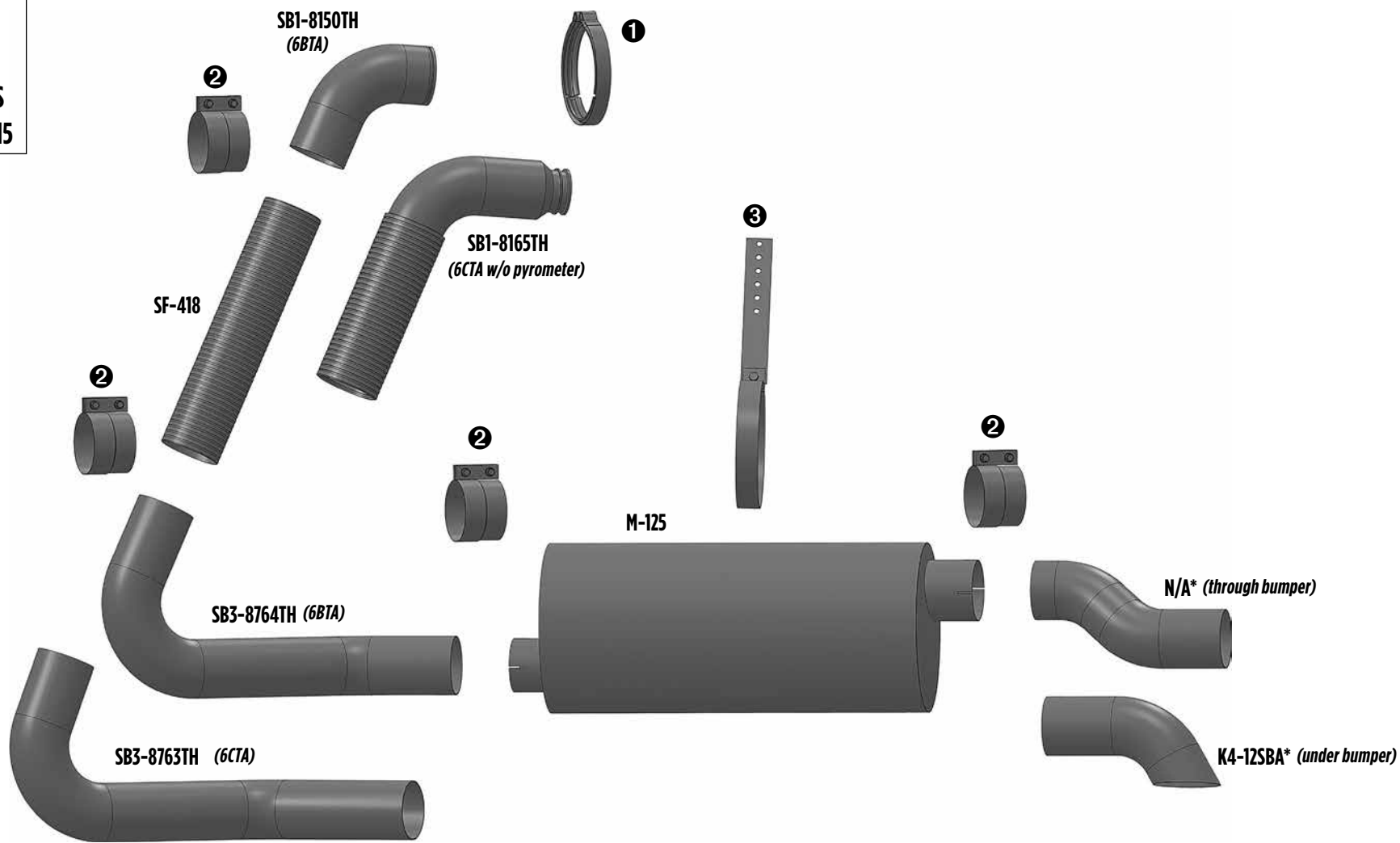
- ❶ WFC-3SS
- ❷ OMH-1015
- ❸ WFC-4SS



TH710 - '89 - '93 6 Cyl. All models w/ Cummins 6BTA, 6CTA; Rear Eng.; Rear Exit Tail Pipe

Clamps

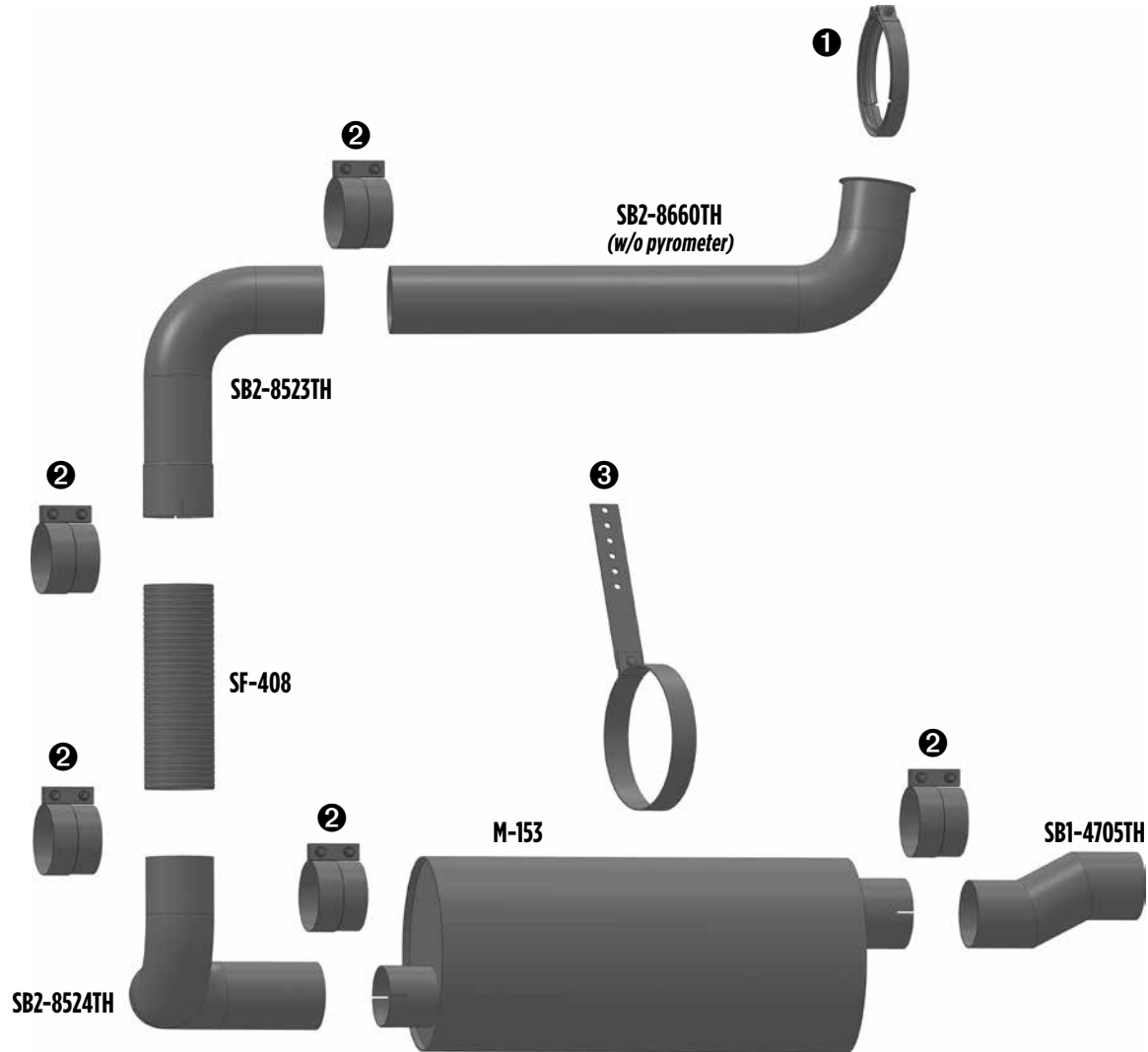
- ① N/A
- ② WFC-4SS
- ③ OMH-1015






TH712 - '89 - '93 8 Cyl. Saf-T-Liner w/ 8.2L Turbo Diesel; Rear Eng. Model; Rear Exit Tail Pipe

Clamps

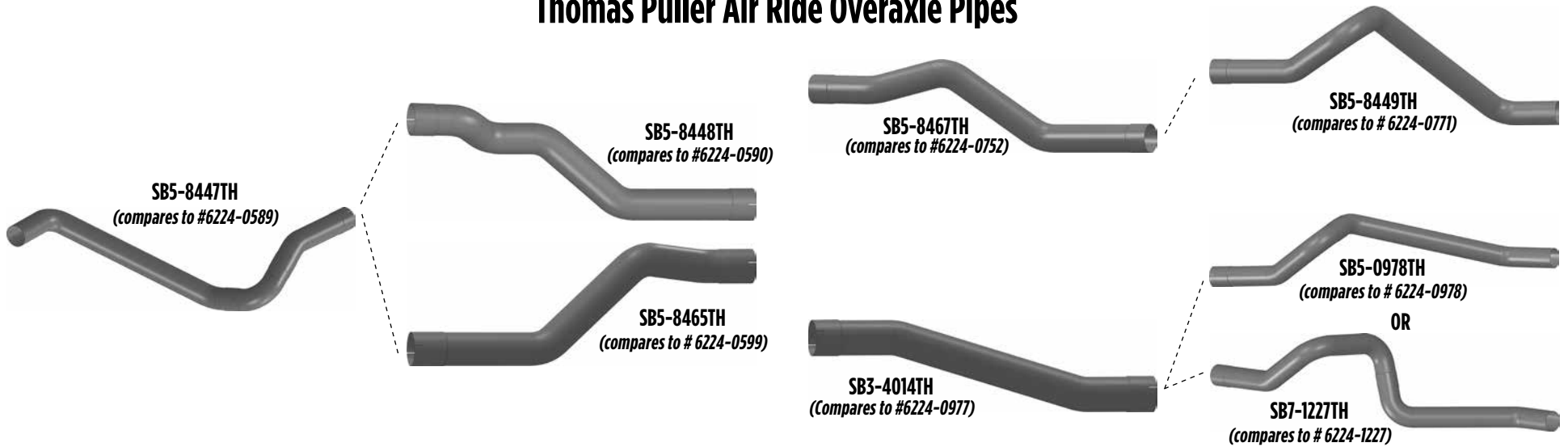
- ① VB-475D
- ② WFC-4SS
- ③ OMH-8511



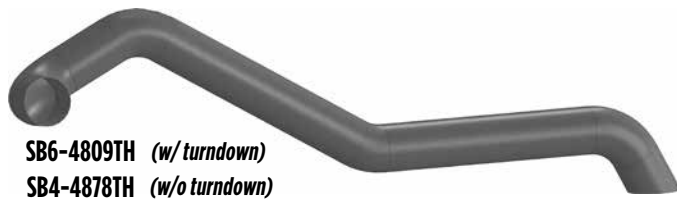
UNIVERSAL NEW PARTS 2013

	GRAND ROCK PART NO.	OE PART NO.	DESCRIPTION	2 PIECE PIPE 2nd PART NEEDED
	SB1-0794TH	6224-0794	THOMAS TAILSPOUT 6 CG ER TRANSIT	
	SB2-0324TH	6224-0324	THOMAS 4" 2 BEND OD/OD PIPE EXTENSION PIPE 8.2L DDA; 4" 2 BEND OD/OD PIPE	
	SB10-0954TH-2	6224-0954	THOMAS PULLER TROUGH BUMPER TAILPIPE CUT TO FIT	S4-80EXA WFC-4A

Thomas Puller Air Ride Overaxle Pipes



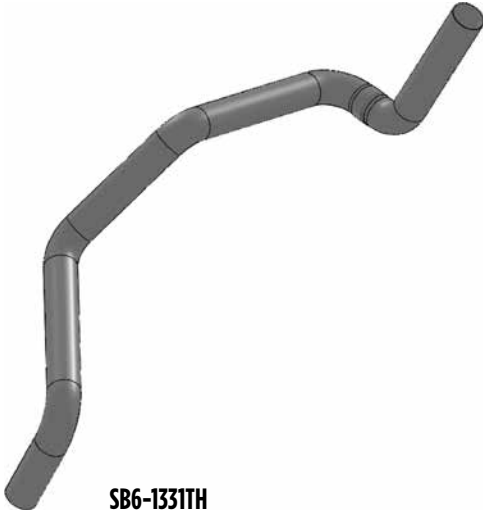
Thomas MVP 4" Side Exit Tail Pipe



Thomas MVP Pusher - Tail Pipe Options



'07-'10 Thomas Tailpipes Spring Susp. Rear Over Axle



SB6-1331TH
(compares to # 131331)



SB7-8300TH
(compares to # 138300)