

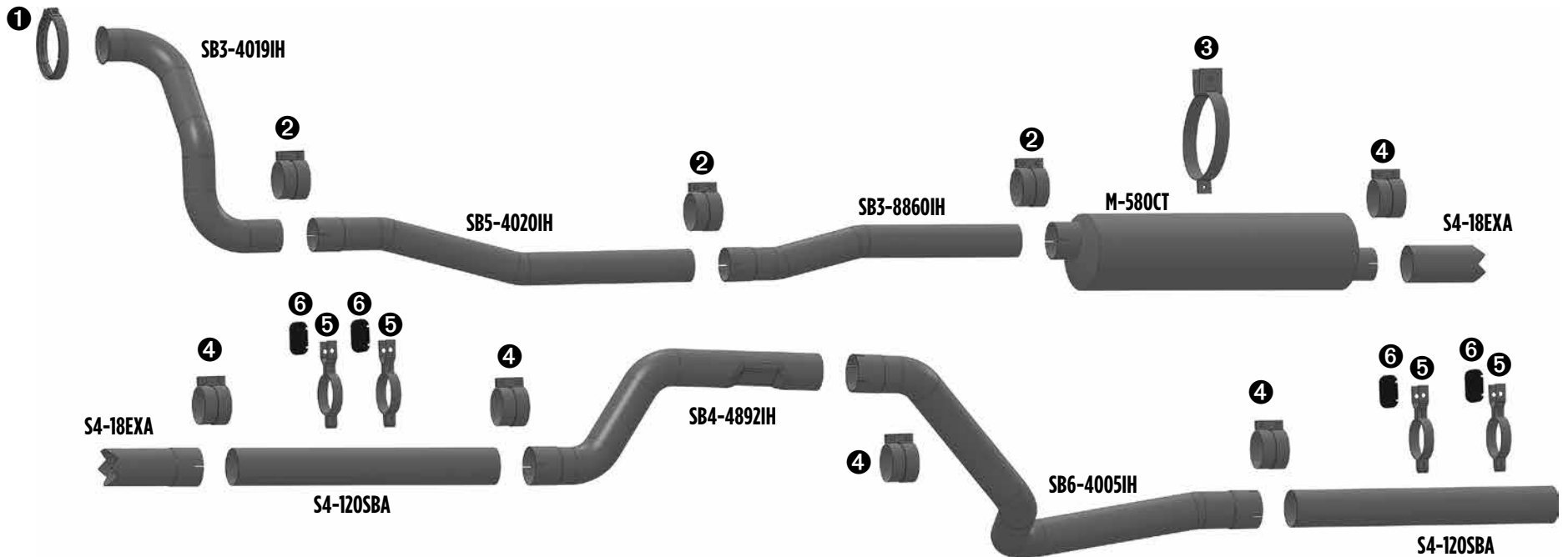
INTERNATIONAL SCHOOL BUS APPLICATIONS

**GRAND
ROCK**

INT600 - '07 - '08 6 Cyl. FE International DT-466 Engine, Right Side Exit Max Force DT

Clamps

- ① VB-351I
- ② WFC-35SS
- ③ H-IHM4
- ④ WFC-4SS
- ⑤ H-IHP3
- ⑥ H-IHP1

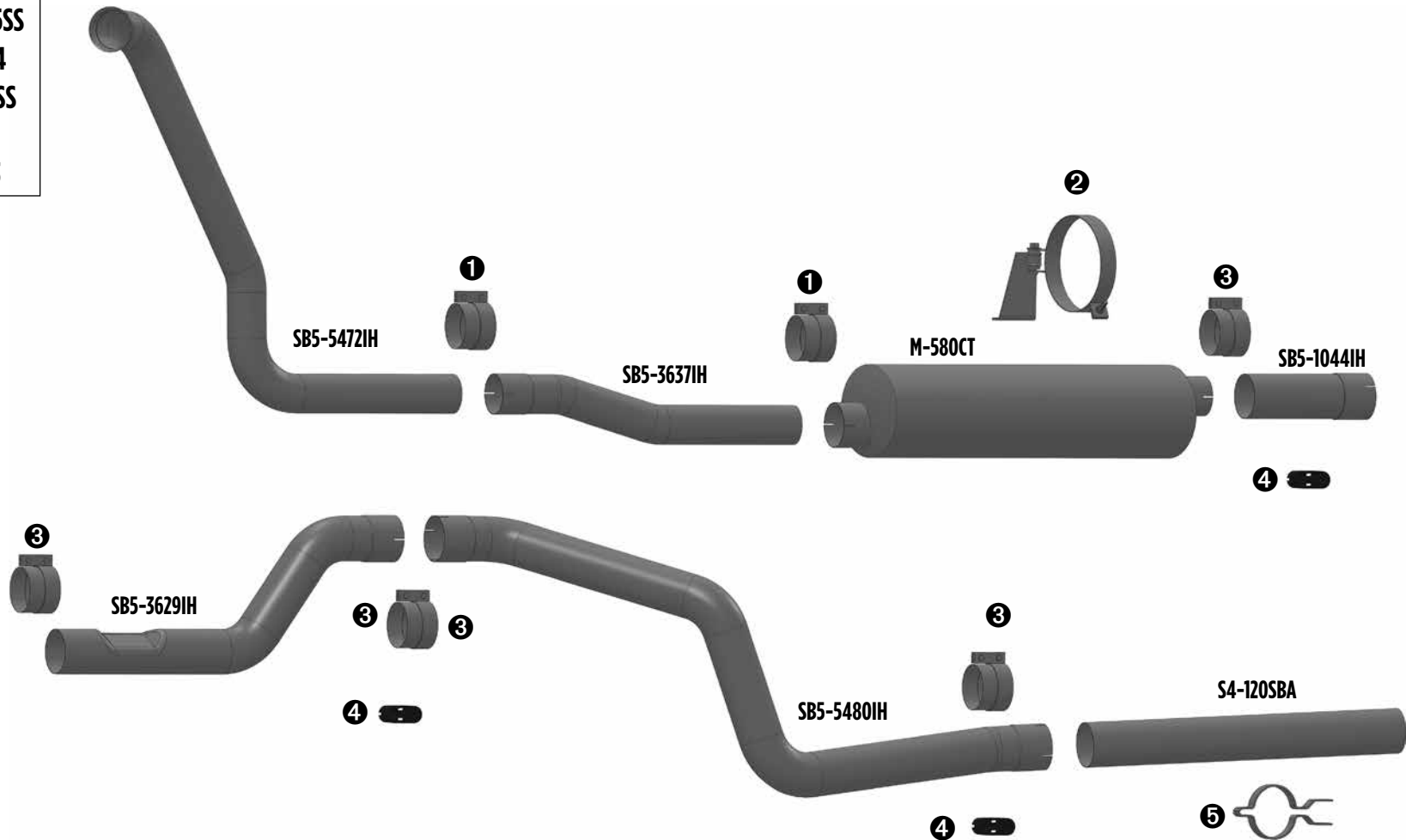


INTERNATIONAL SCHOOL BUS APPLICATIONS

INT601 - '04 - '05 8 Cyl. Model IC w/VT365 Diesel

Clamps

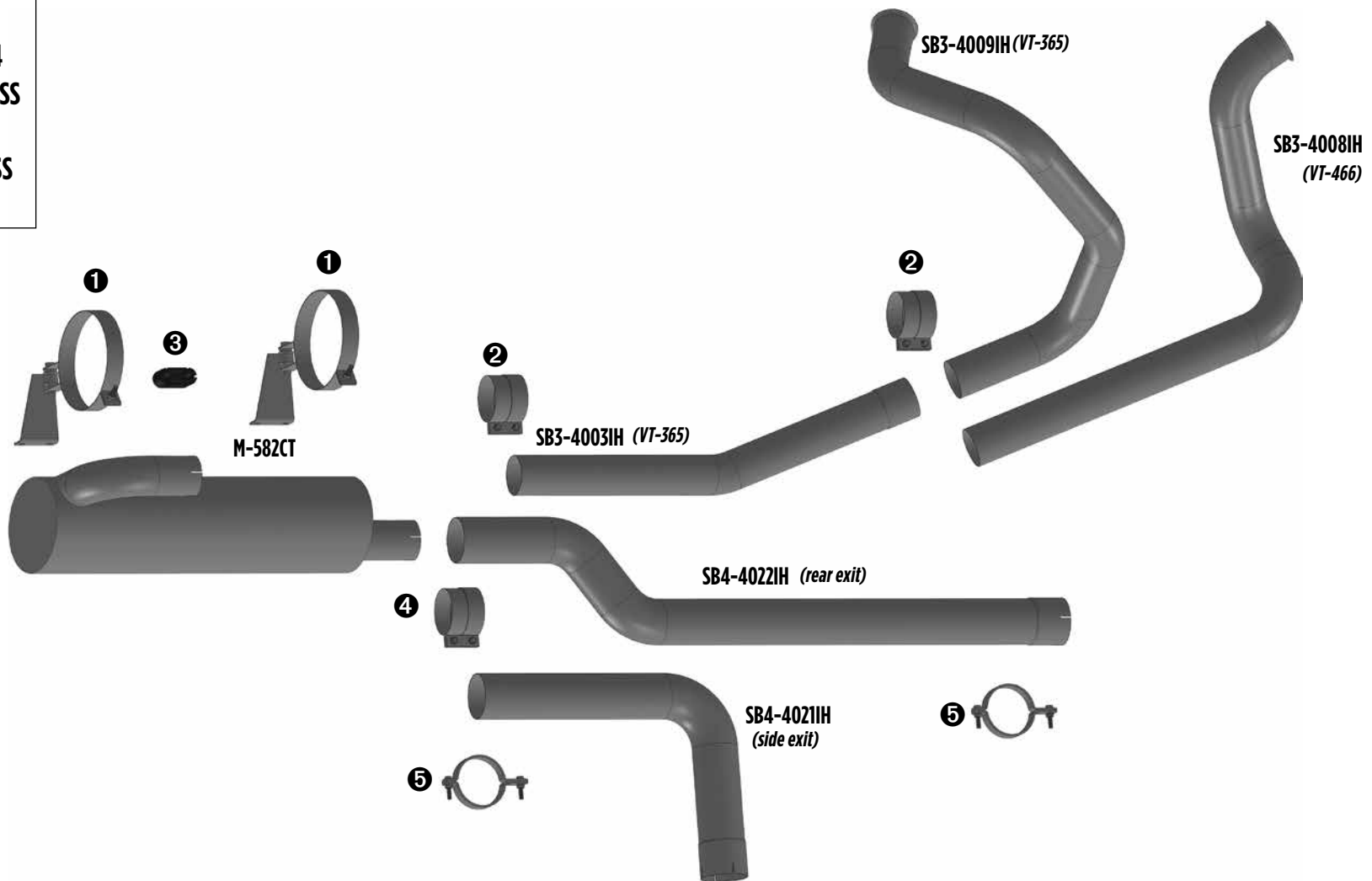
- ① WFC-35SS
- ② H-IHM4
- ③ WFC-4SS
- ④ H-IHP1
- ⑤ H-IHP3



INT602 - '04 - '07 6 Cyl. IC Rear Engine VT-365 & DT466

Clamps

- ① H-IHM4
- ② WFC-35SS
- ③ H-IHP1
- ④ WFC-4SS
- ⑤ H-IHP5

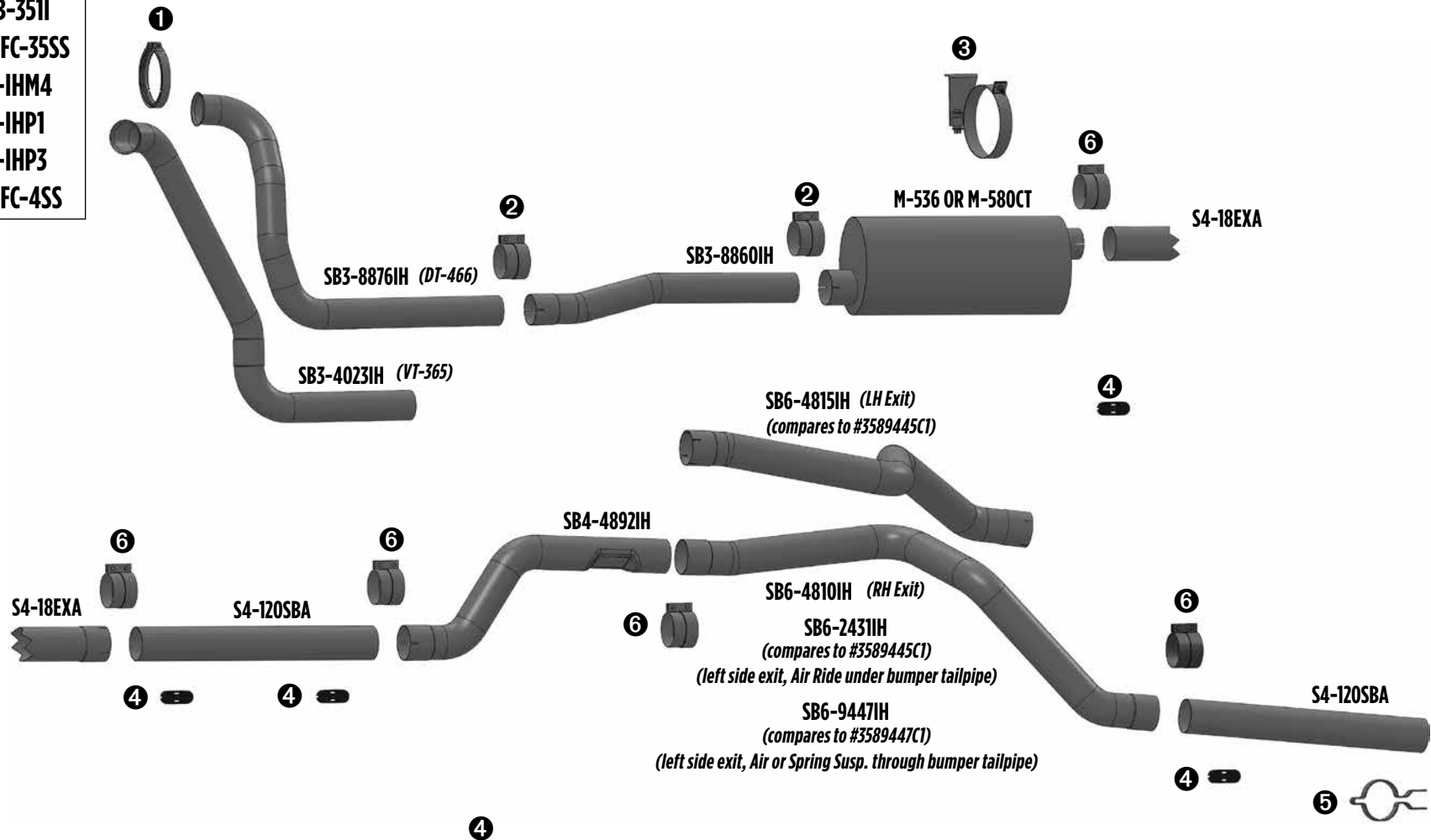


INTERNATIONAL SCHOOL BUS APPLICATIONS

INT603 - '05 - '08 6 Cyl. CE International w/ DT-466 & VT-365 Engine Exc. DPF System

Clamps

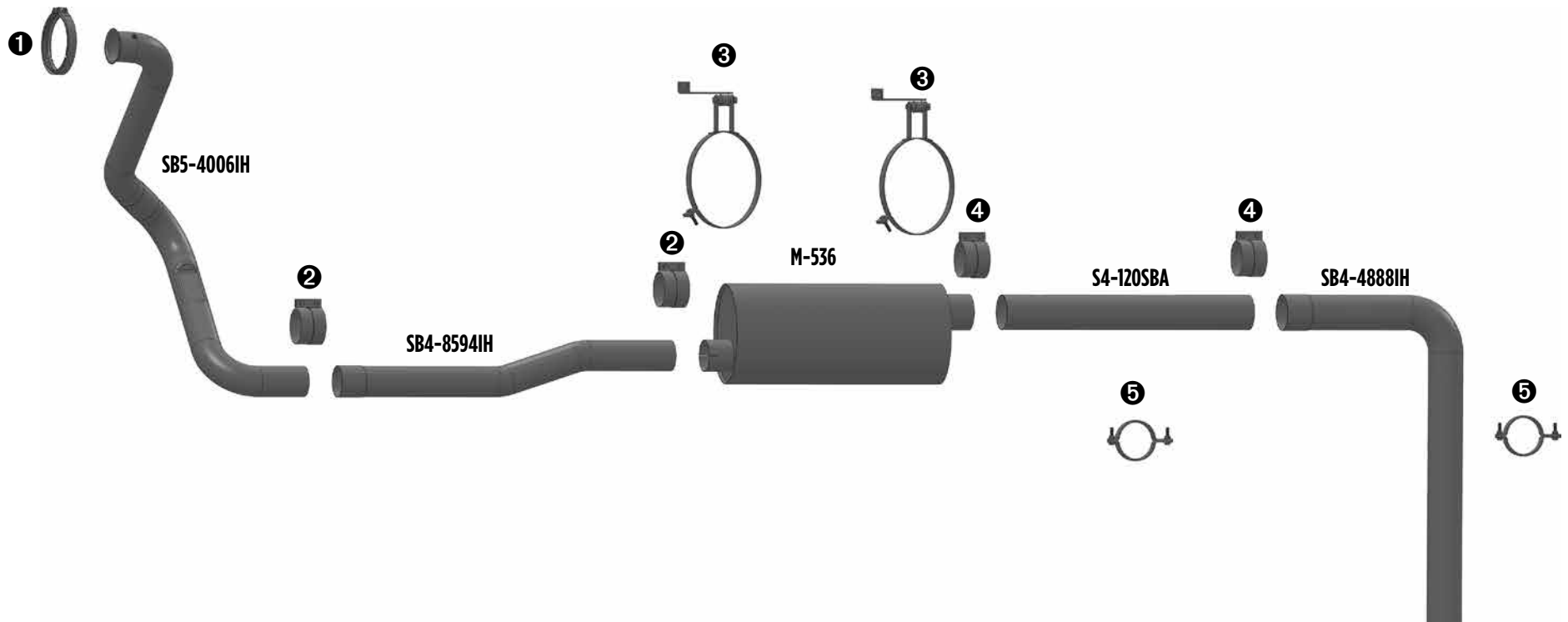
- ① VB-351I
- ② WFC-35SS
- ③ H-IHM4
- ④ H-IHP1
- ⑤ H-IHP3
- ⑥ WFC-4SS



INT604 - '00 - '02 6 Cyl. International DT 466 Engine, Left Side Exhaust System

Clamps

- ① VB-351I
- ② WFC-35SS
- ③ H-IHM6
- ④ WFC-4SS
- ⑤ H-IHP5

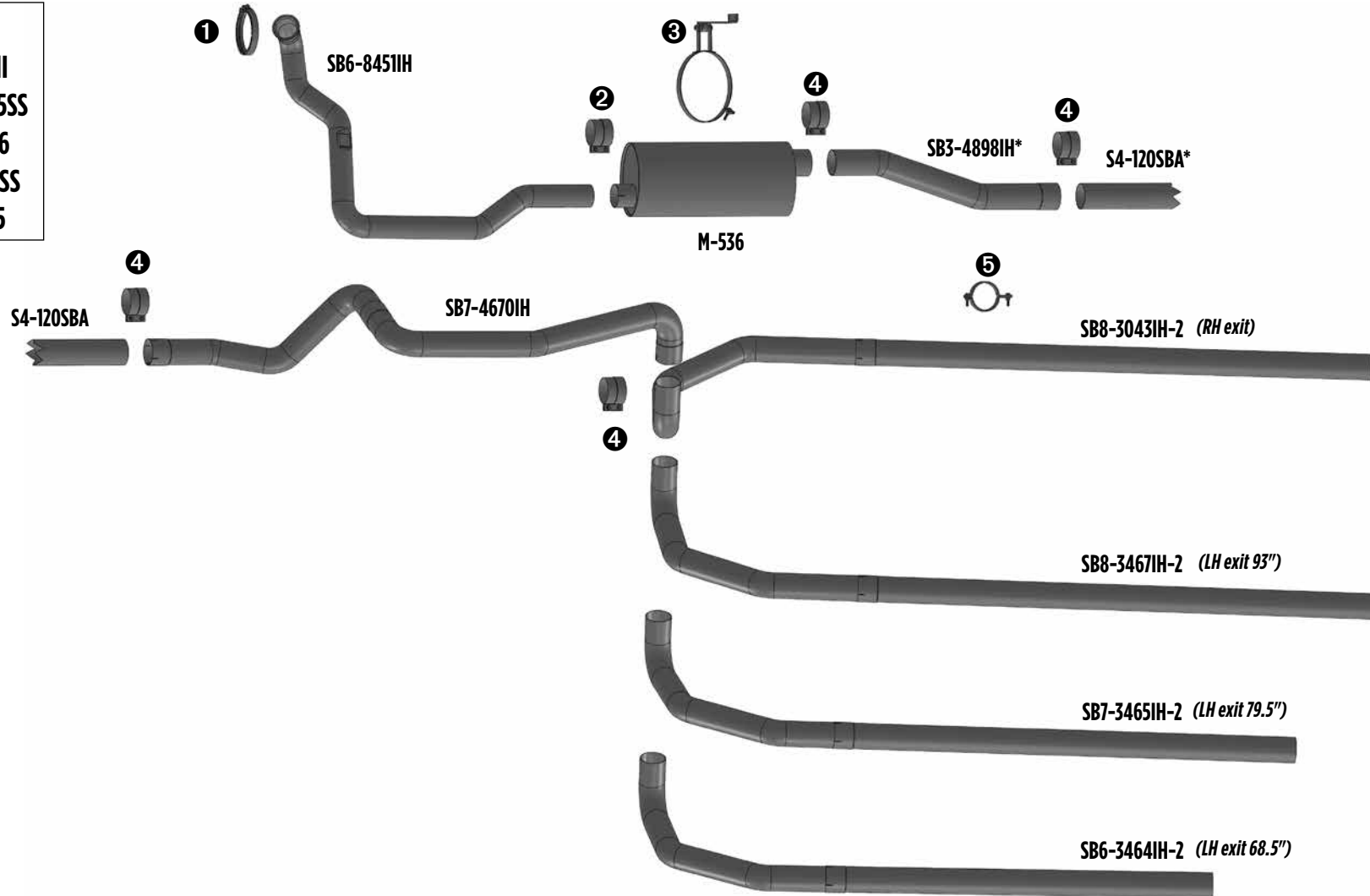


INTERNATIONAL SCHOOL BUS APPLICATIONS

INT605 - 2001 6 Cyl. Series 3800 w/ T444 Turbo Diesel, w/ Air Ride Suspension

Clamps

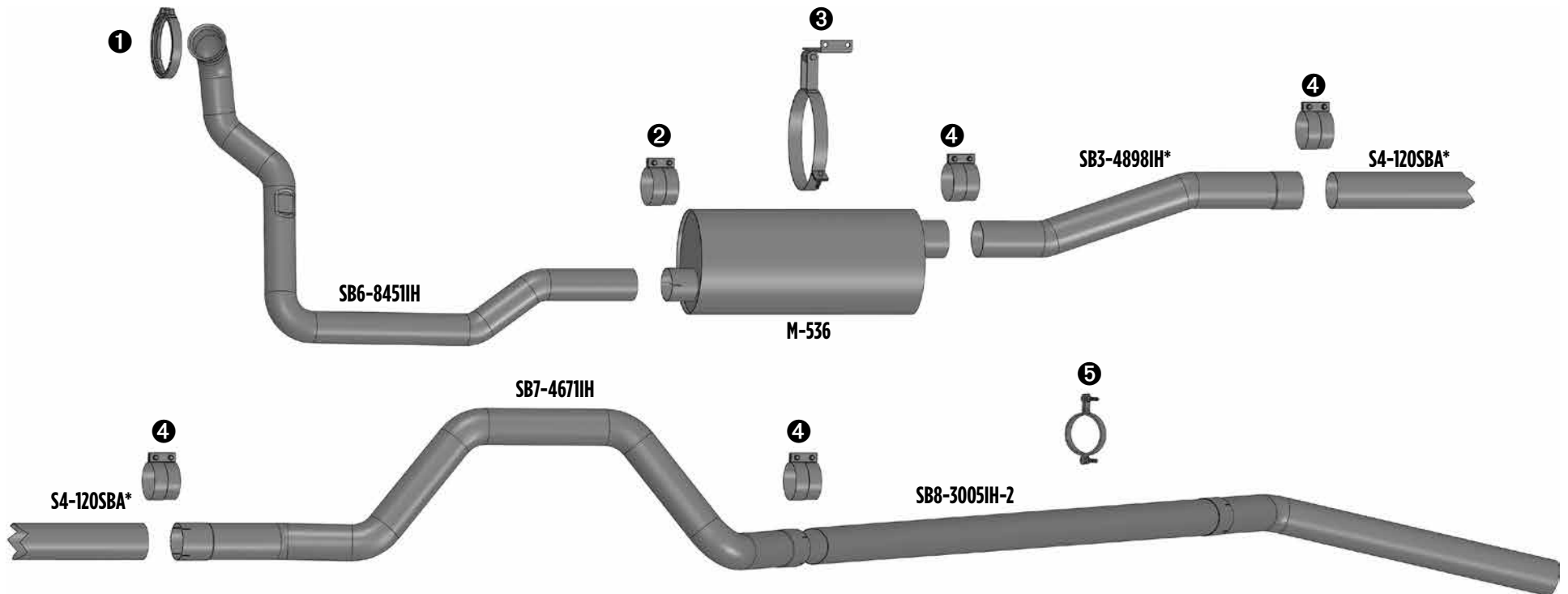
- ① VB-351I
- ② WFC-35SS
- ③ H-IHM6
- ④ WFC-4SS
- ⑤ H-IHP5



INT606 - 2001 6 Cyl. Series 3800 w/ 444 Turbo Diesel, w/ Spring Suspension (Vari-Rate Suspension)

Clamps

- ❶ VB-351I
- ❷ WFC-35SS
- ❸ H-IHM6
- ❹ WFC-4SS
- ❺ H-IHP5

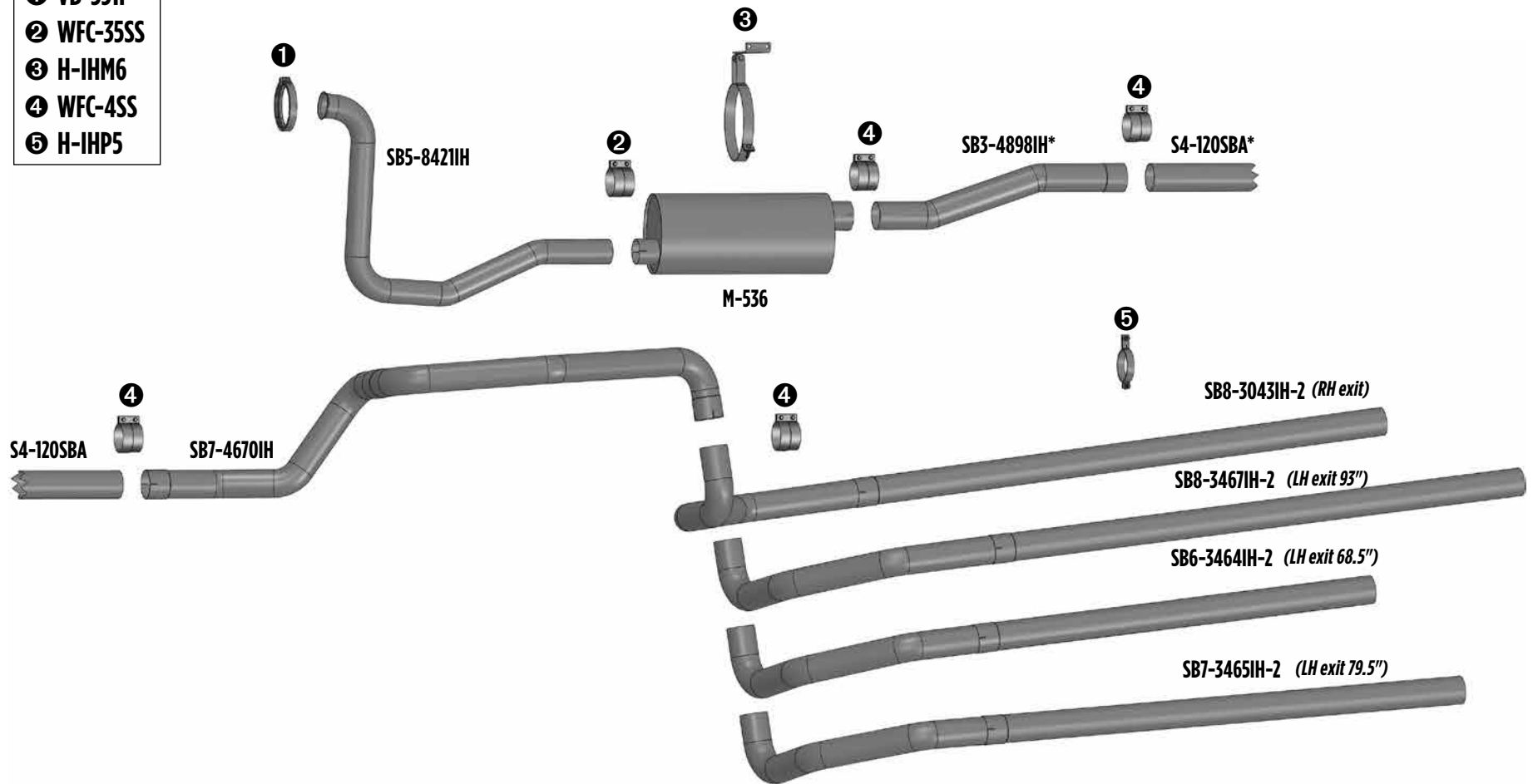


INTERNATIONAL SCHOOL BUS APPLICATIONS

INT607 - '00 - '01 6 Cyl. Series 3800 w/ DT466 Turbo Diesel, w/ Air Ride Suspension

Clamps

- ① VB-351I
- ② WFC-35SS
- ③ H-IHM6
- ④ WFC-4SS
- ⑤ H-IHP5

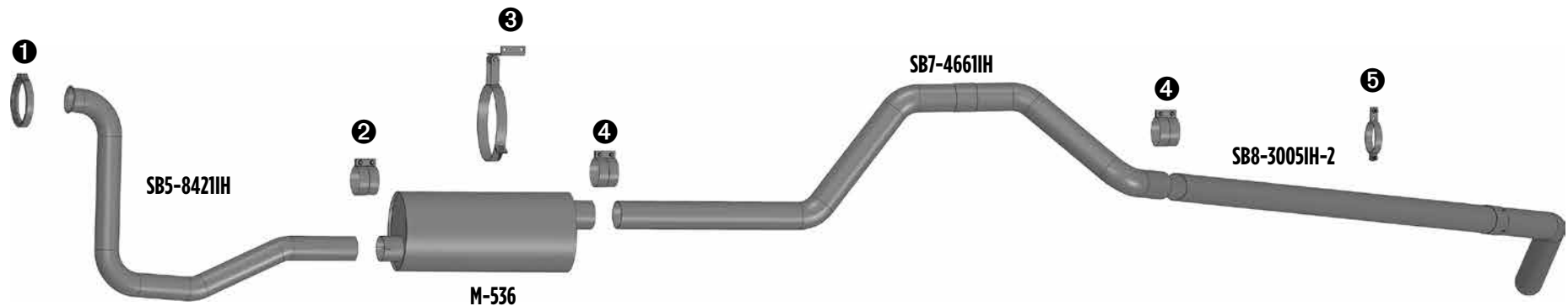


INTERNATIONAL SCHOOL BUS APPLICATIONS

INT608 - '96 - '00 6 Cyl. Series 3800 w/ DT408, DT466 NGD Diesel; w/ Code 07ABC; RH Exhaust; 152" W.B.

Clamps

- ① VB-351I
- ② WFC-35SS
- ③ H-IHM6
- ④ WFC-4SS
- ⑤ H-IHP5

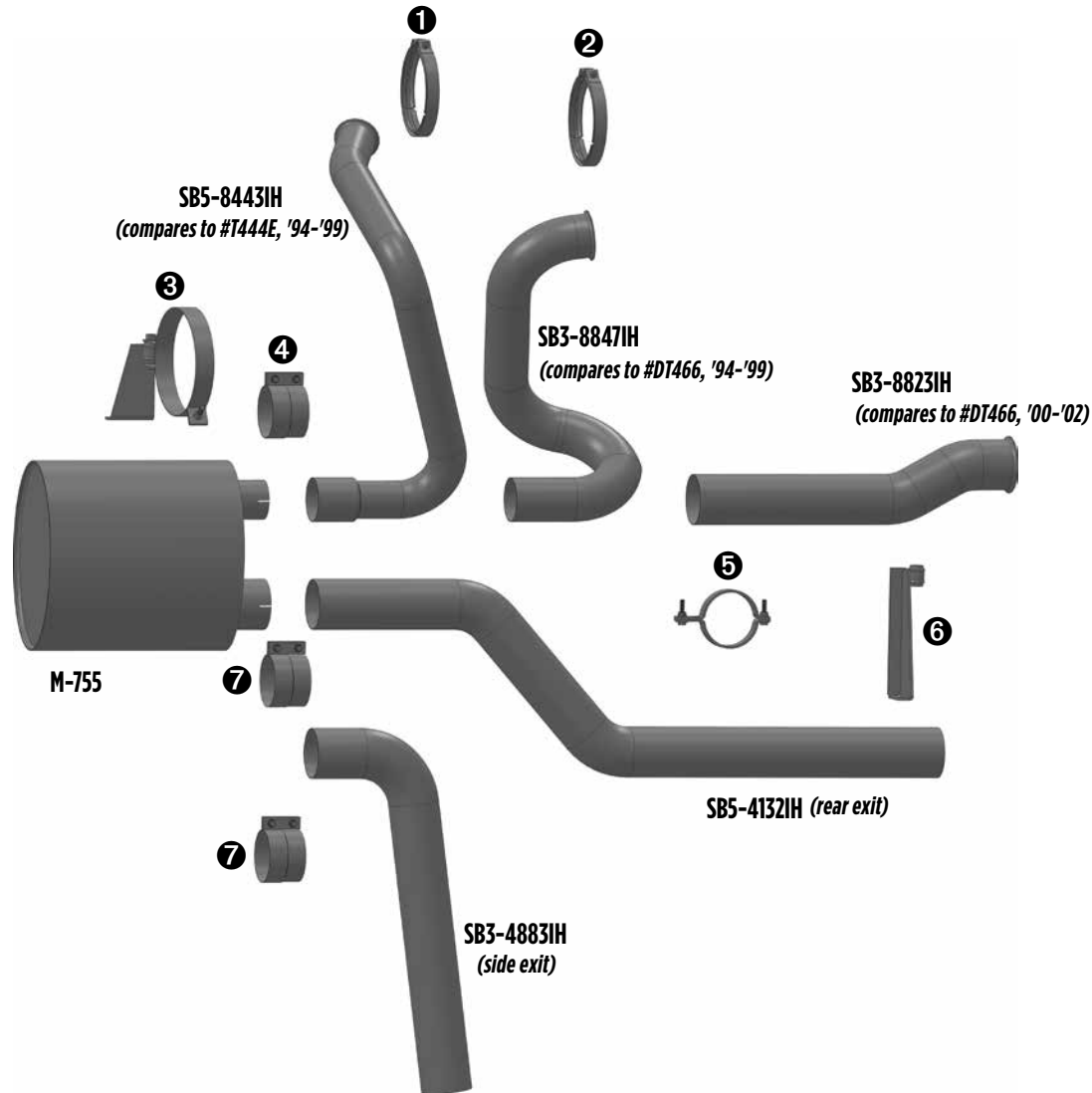


INTERNATIONAL SCHOOL BUS APPLICATIONS

INT609 - '94 - '02 6 & 8 Cyl. Amtran T444E & Dt466 Rear Engine Foward Control

Clamps

- ① VB-302I
- ② VB-351I
- ③ H-IHM6
- ④ WFC-35SS
- ⑤ H-IHP5
- ⑥ H-IH7
- ⑦ WFC-4SS

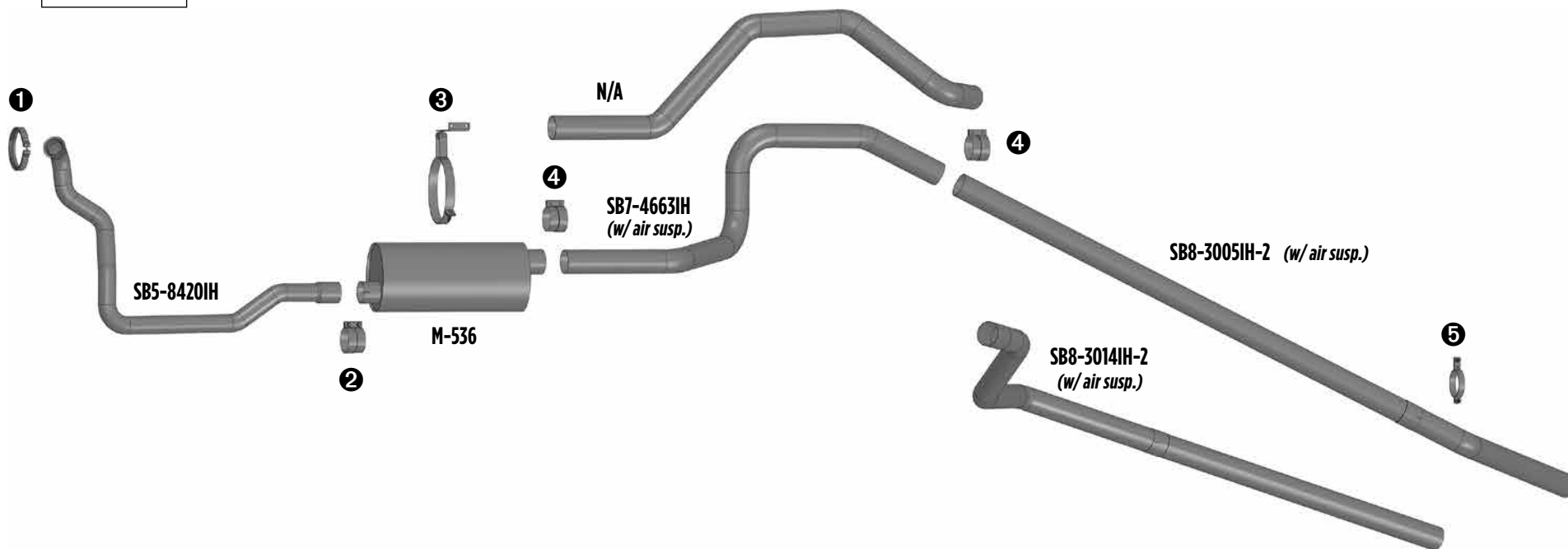


INTERNATIONAL SCHOOL BUS APPLICATIONS

INT610 - '94 - '04 8 Cyl. Series 3600; w/ T444E Diesel; w/ Code 10NXW-Handicap Pkg.; RH Rear Exit Tail Pipe; 152"-276" W.B.

Clamps

- ① VB-301I
- ② WFC-35SS
- ③ H-IHM6
- ④ WFC-4SS
- ⑤ H-IHP5

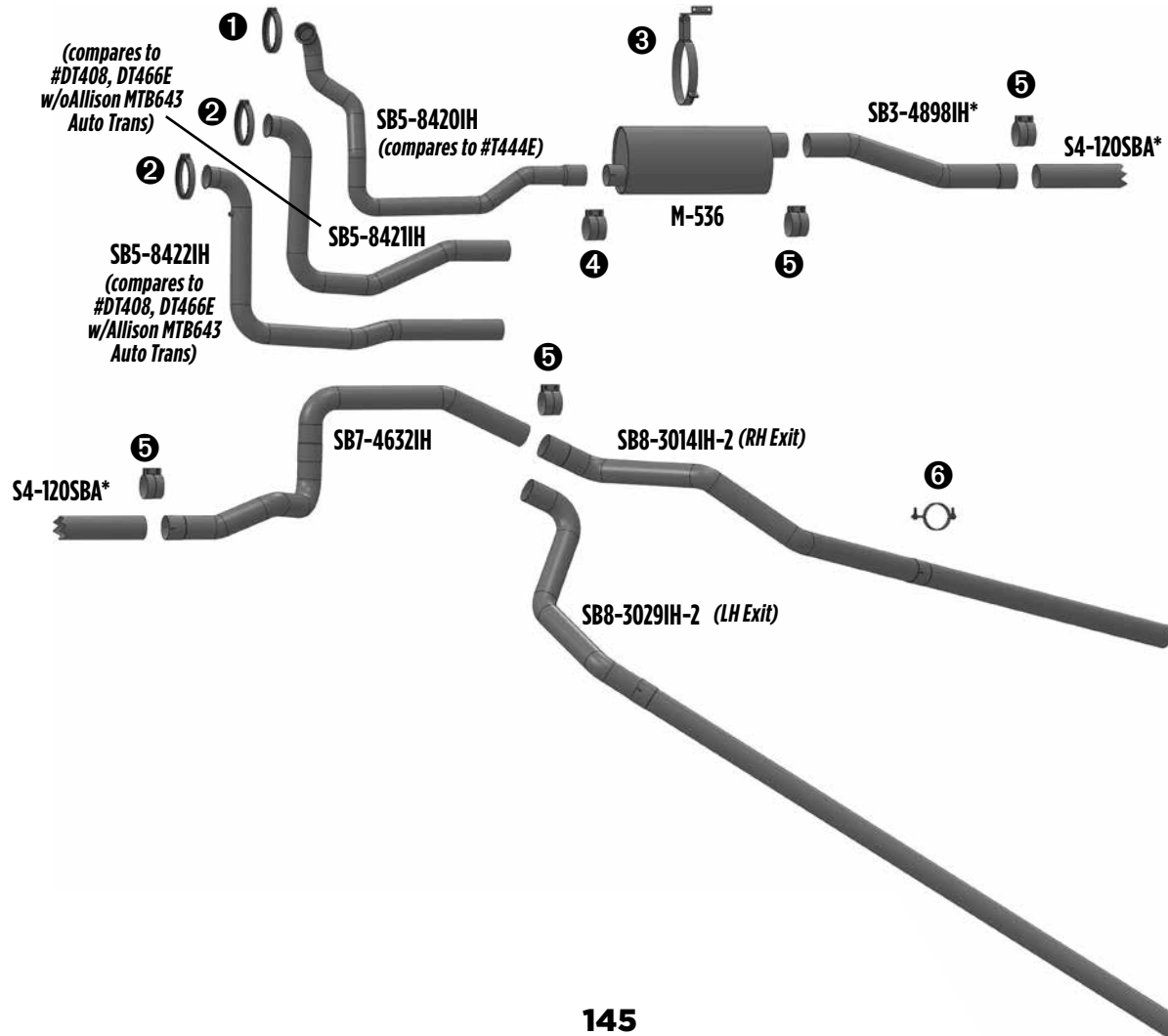


INTERNATIONAL SCHOOL BUS APPLICATIONS

**INT611 - '94 - '04 6-8 Cyl. Series 3600, 3800; 6 Cyl. DT408, DT466E, 8 Cyl. T444E Diesel; w/ Air Suspension;
152"-276" W.B.**

Clamps

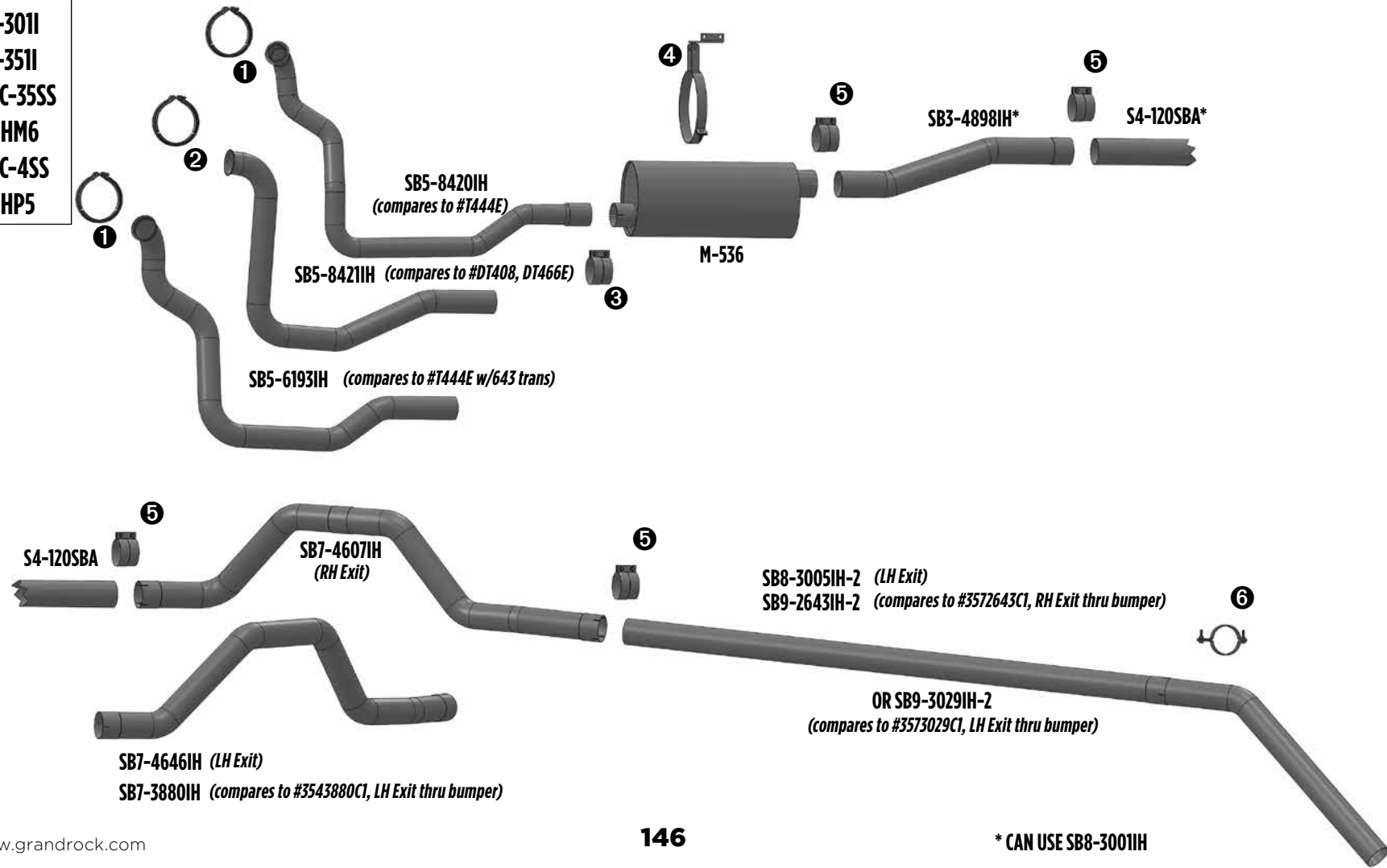
- ❶ VB-301I
- ❷ VB-351I
- ❸ H-IHM6
- ❹ WFC-35SS
- ❺ WFC-4SS
- ❻ H-IHP5



INT612 - '94 - '04 Series 3600, 3800 6 cyl., DT408, DT466E 8 cyl. T444E Turbo Diesel w/ Variable Rate Suspension; 152" - 276" W.B.

Clamps

- ① VB-301I
- ② VB-351I
- ③ WFC-35SS
- ④ H-IHM6
- ⑤ WFC-4SS
- ⑥ H-IHP5

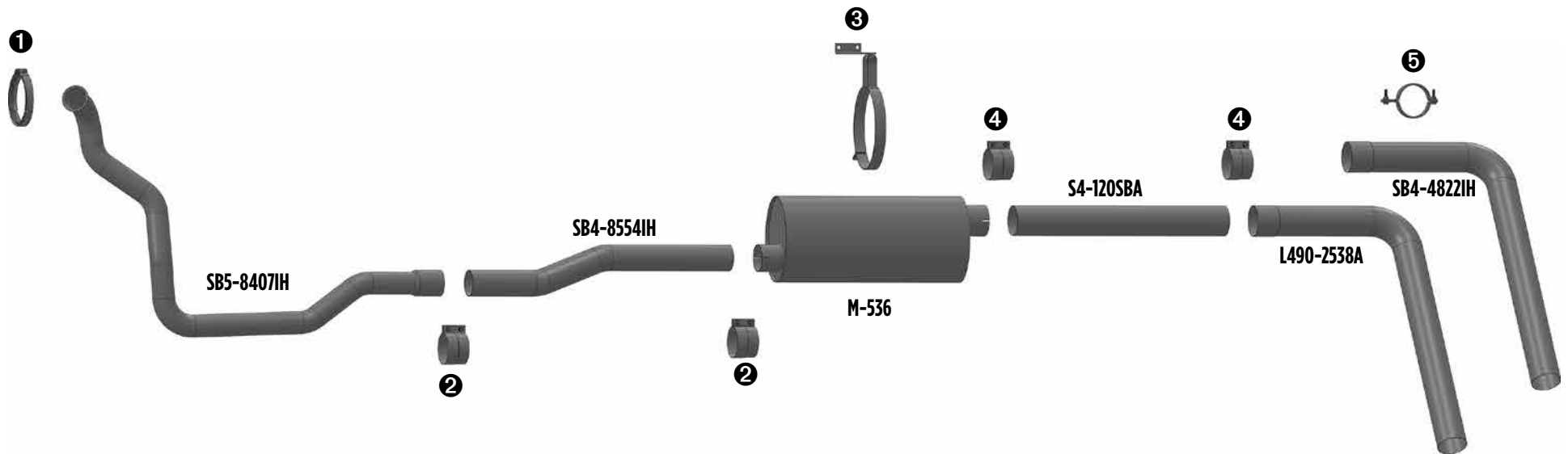


INTERNATIONAL SCHOOL BUS APPLICATIONS

INT613 - '94 - '04 6 Cyl. Series 3800; w/ DT408, DT466E Turbo Diesel; Code OAAS Tailpipe Exits Front of LH Rear Wheel; 152" - 276" W.B.

Clamps

- ❶ VB-351I
- ❷ WFC-35SS
- ❸ H-IHM6
- ❹ WFC-4SS
- ❺ H-IHP5

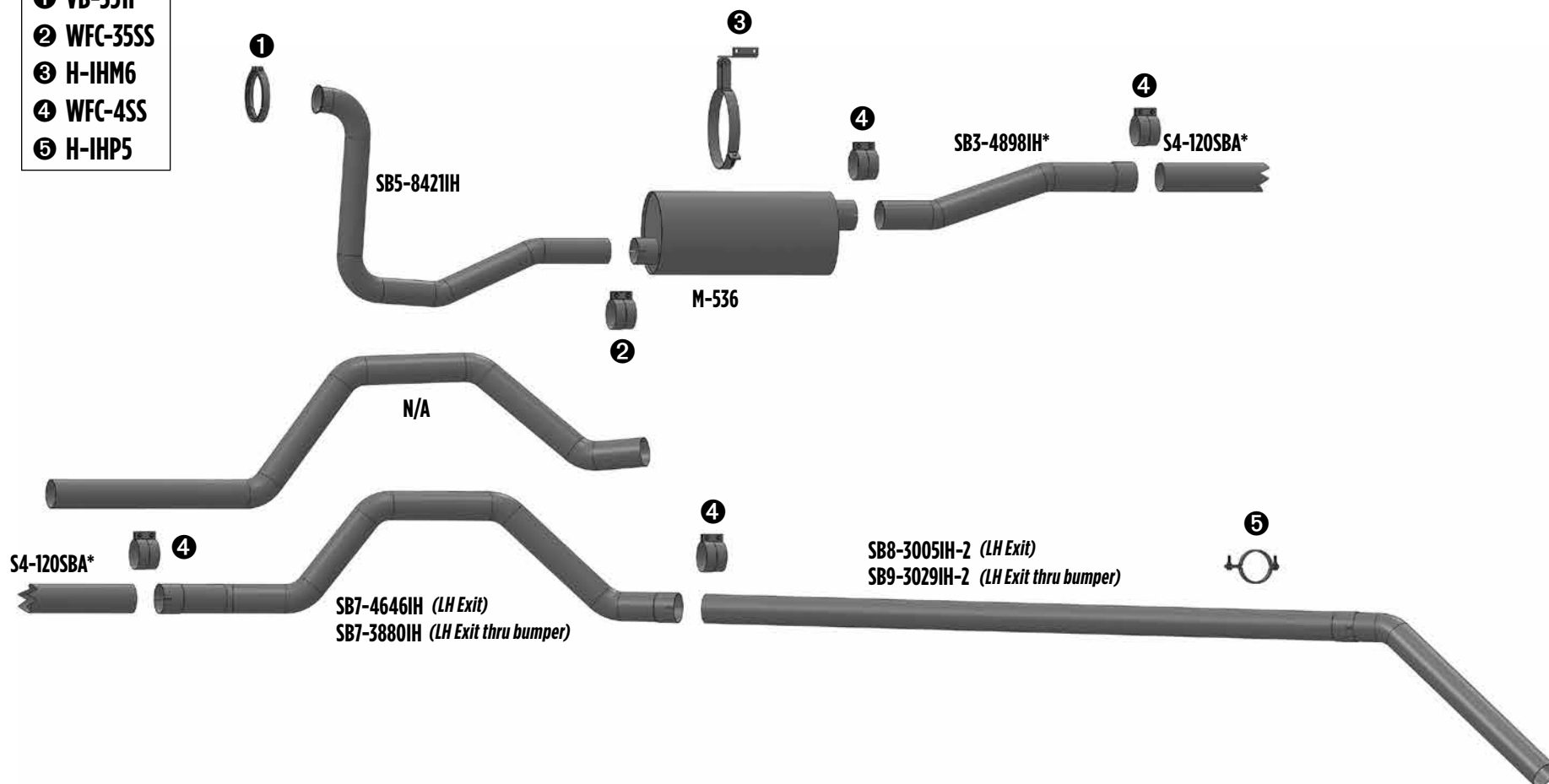


INTERNATIONAL SCHOOL BUS APPLICATIONS

INT614 - '94 - '04 6 Cyl. Series 3800; w/ DT408, DT466E Turbo Diesel; w/ Code 07AAN; LH Exit Tail Pipe; w/o Air Suspension; 152"-276" W.B.

Clamps

- ① VB-351I
- ② WFC-35SS
- ③ H-IHM6
- ④ WFC-4SS
- ⑤ H-IHP5

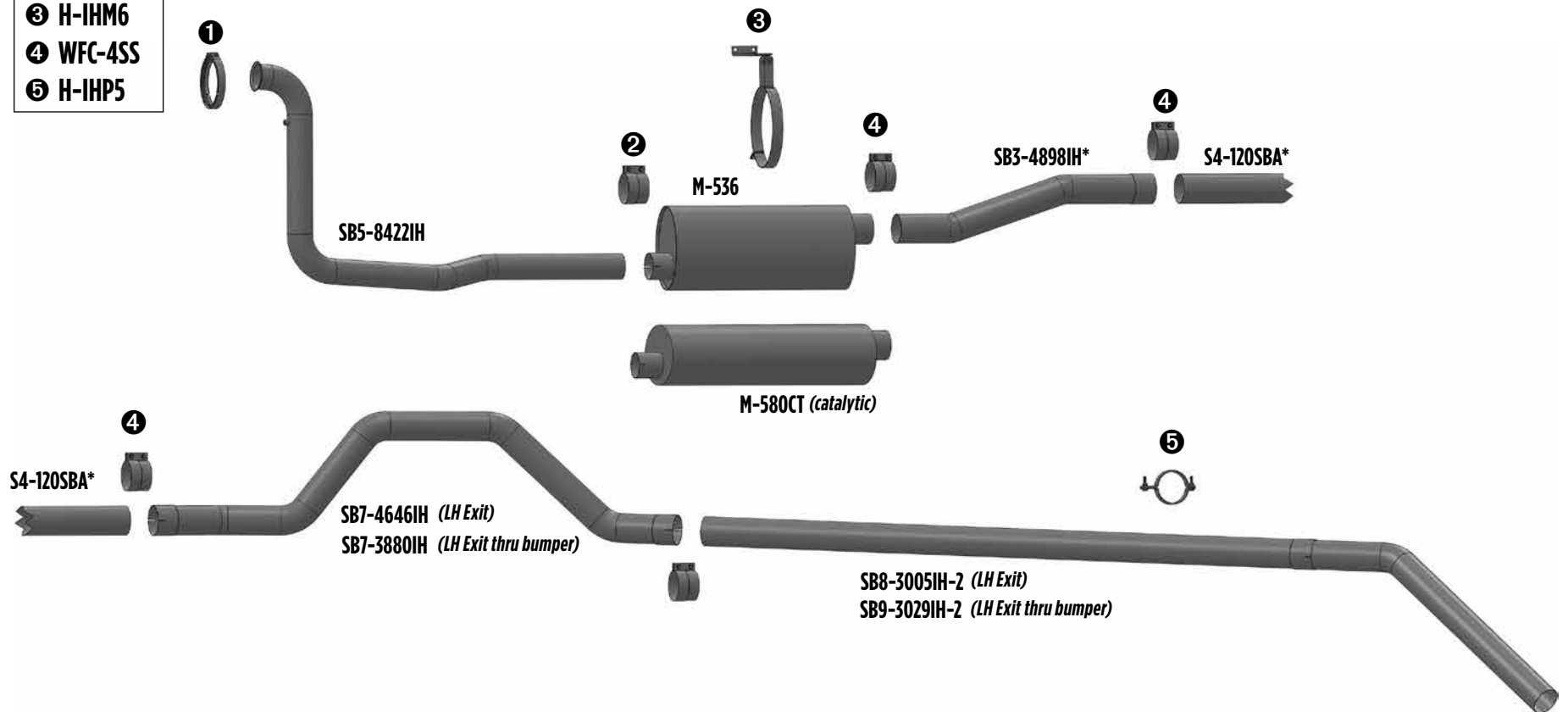


INTERNATIONAL SCHOOL BUS APPLICATIONS

INT615 - '94 - '04 6 Cyl. Series 3800; w/ DT408, DT466E Turbo Diesel; w/ Code 07AAW; w/ Allison MTB643, MTB653DR Auto. Trans.; LH Exit Tail Pipe; w/o Air Suspension; 152", 170"-276" W.B.

Clamps

- ① VB-351I
- ② WFC-35SS
- ③ H-IHM6
- ④ WFC-4SS
- ⑤ H-IHP5

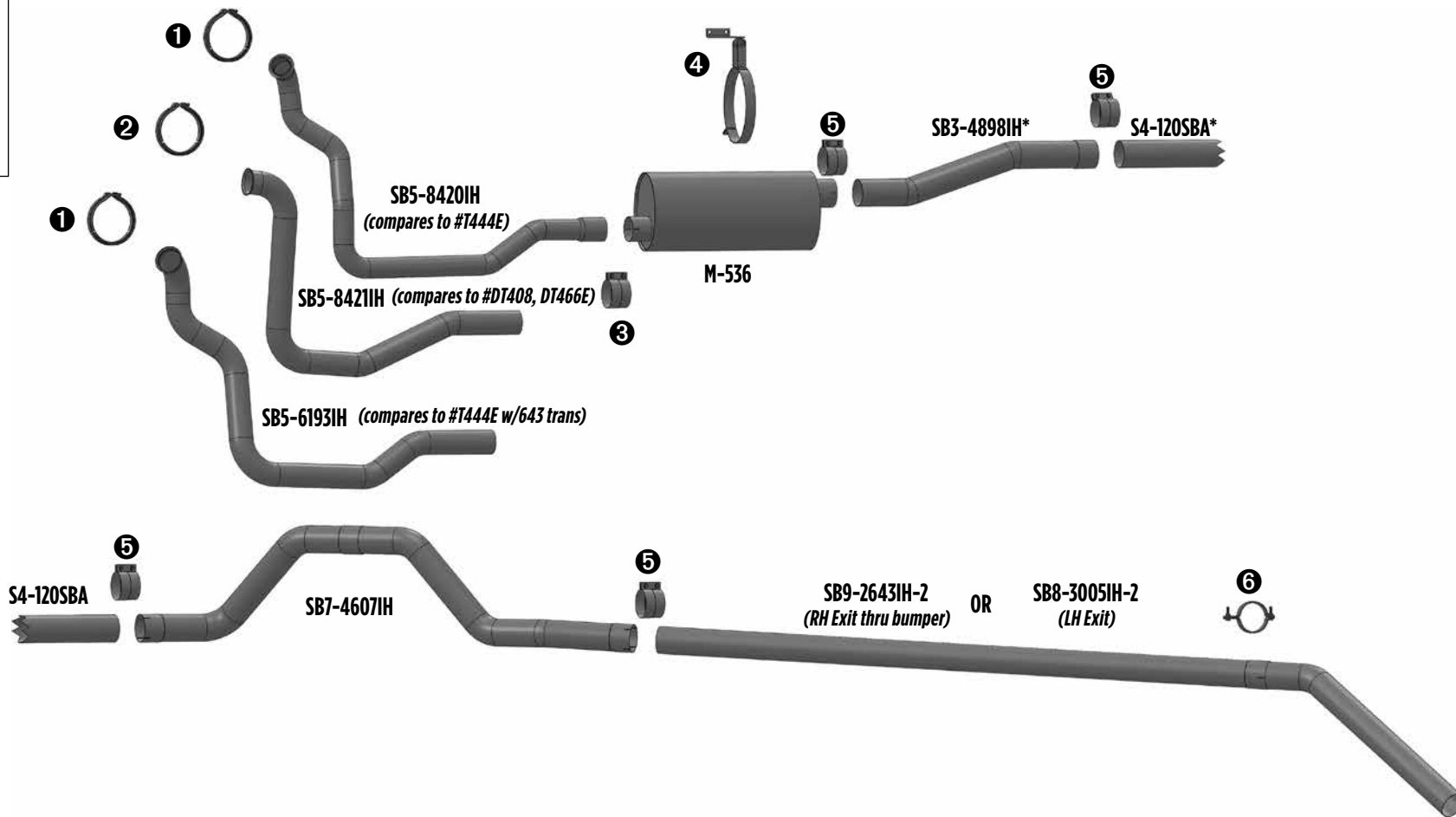


INTERNATIONAL SCHOOL BUS APPLICATIONS

INT616 - '94 - '04 6 - 8 Cyl. Series 3600, 3800 w/ DT408, DT466E, T444E Diesel w/ Mor-Ryde Susp. Exc RH Rear Exit Tailpipe 152", 170" - 276" W.B.

Clamps

- ① VB-301I
- ② VB-351I
- ③ WFC-35SS
- ④ H-IHM6
- ⑤ WFC-4SS
- ⑥ H-IHP5

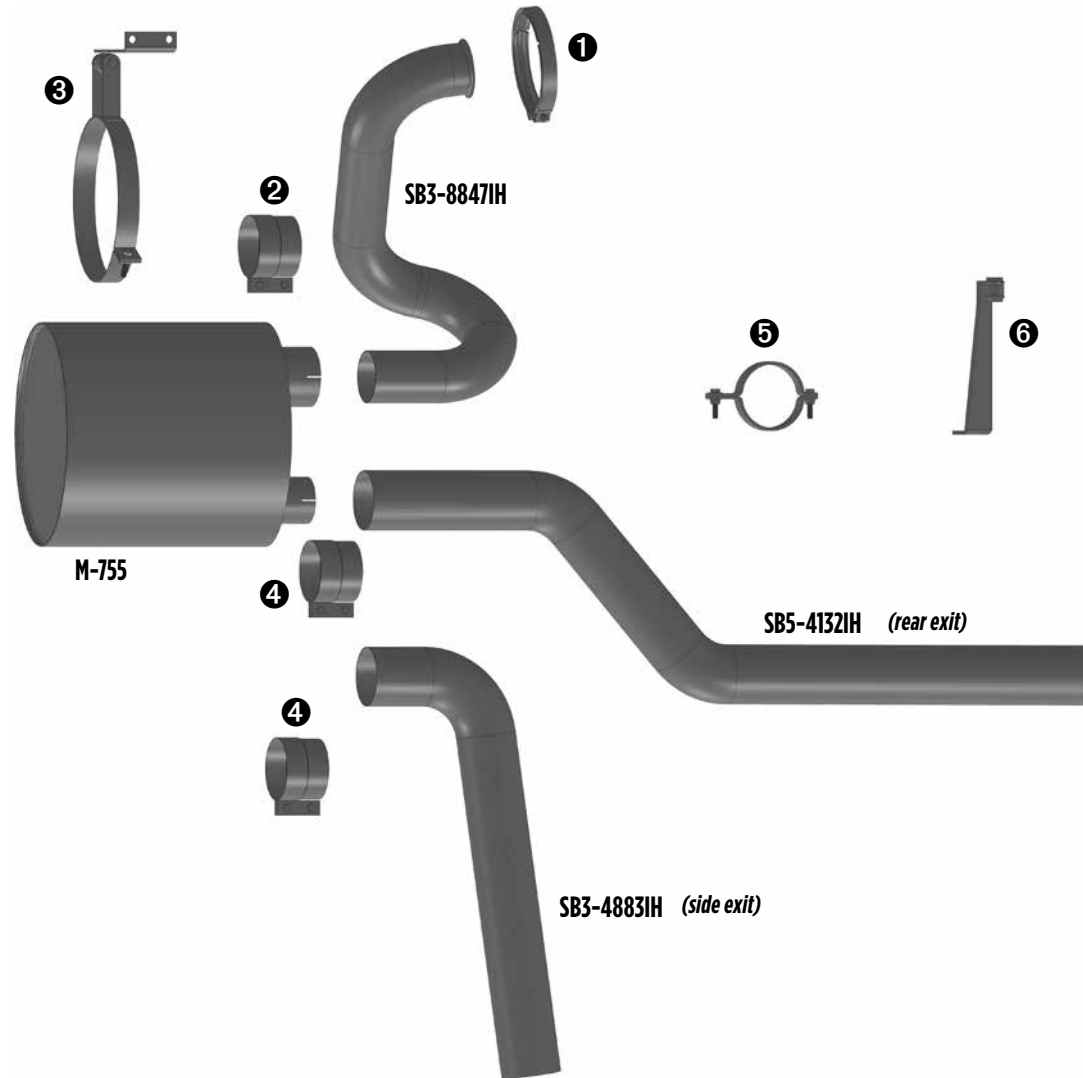


INTERNATIONAL SCHOOL BUS APPLICATIONS

INT617 - '94 - '00 6 Cyl. International; Amtran – DT 466 Rear Engine; Forward Control

Clamps

- ① VB-302I
- ② WFC-35SS
- ③ H-IHM6
- ④ WFC-4SS
- ⑤ H-IHP5
- ⑥ H-IH7

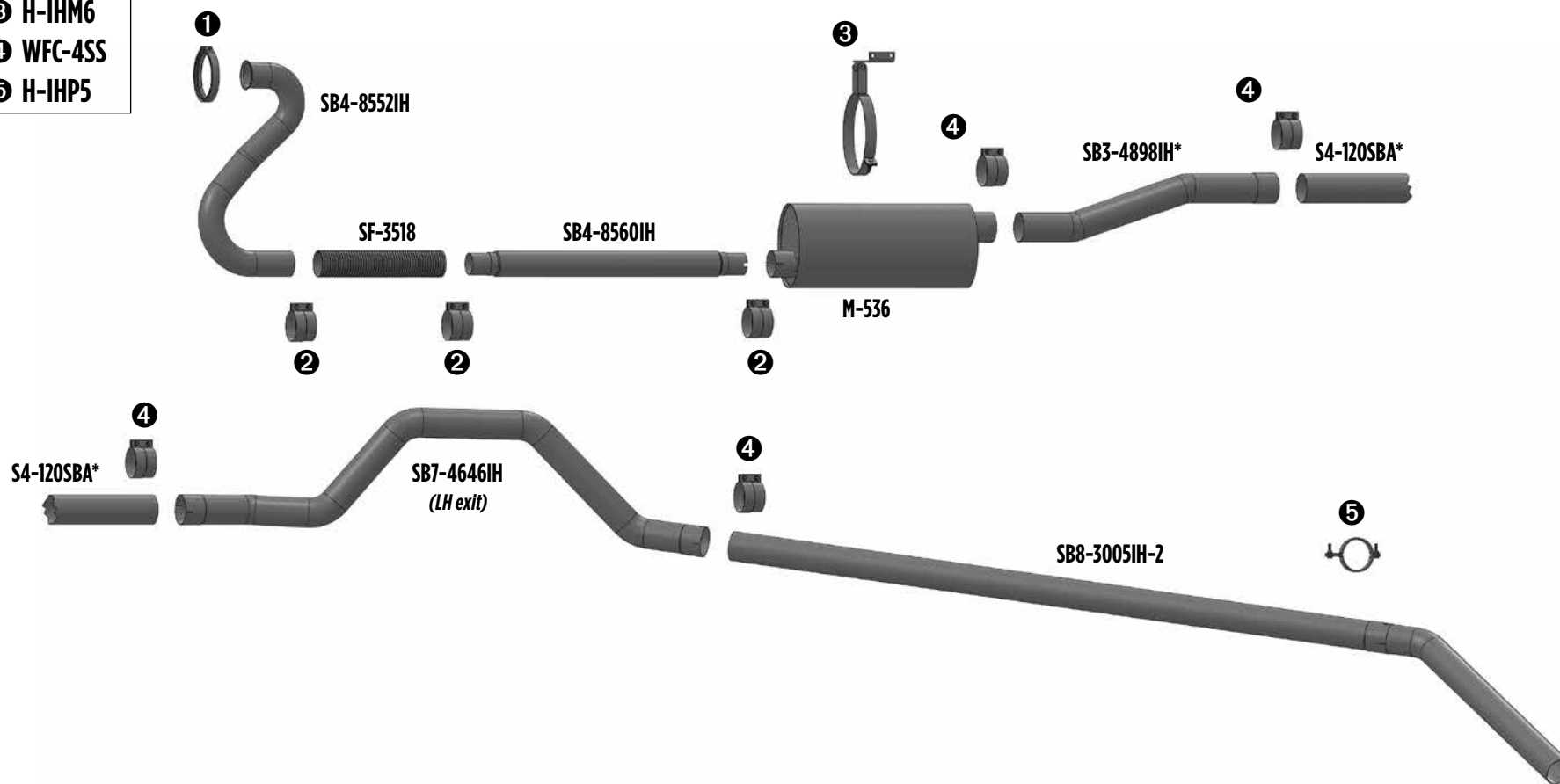


INTERNATIONAL SCHOOL BUS APPLICATIONS

**INT618 - '91 - '93 6 Cyl. Series "S"; 3700, 3800; w/ DT466, DTA466 Diesel Eng.; Allison MTB643 Auto. Trans;
w/ Mor-Ryde or Vari-Rate Suspension; w/o Air Suspension; Long Tail Pipe-Left Side Exit**

Clamps

- ① VB-350I
- ② WFC-35SS
- ③ H-IHM6
- ④ WFC-4SS
- ⑤ H-IHP5

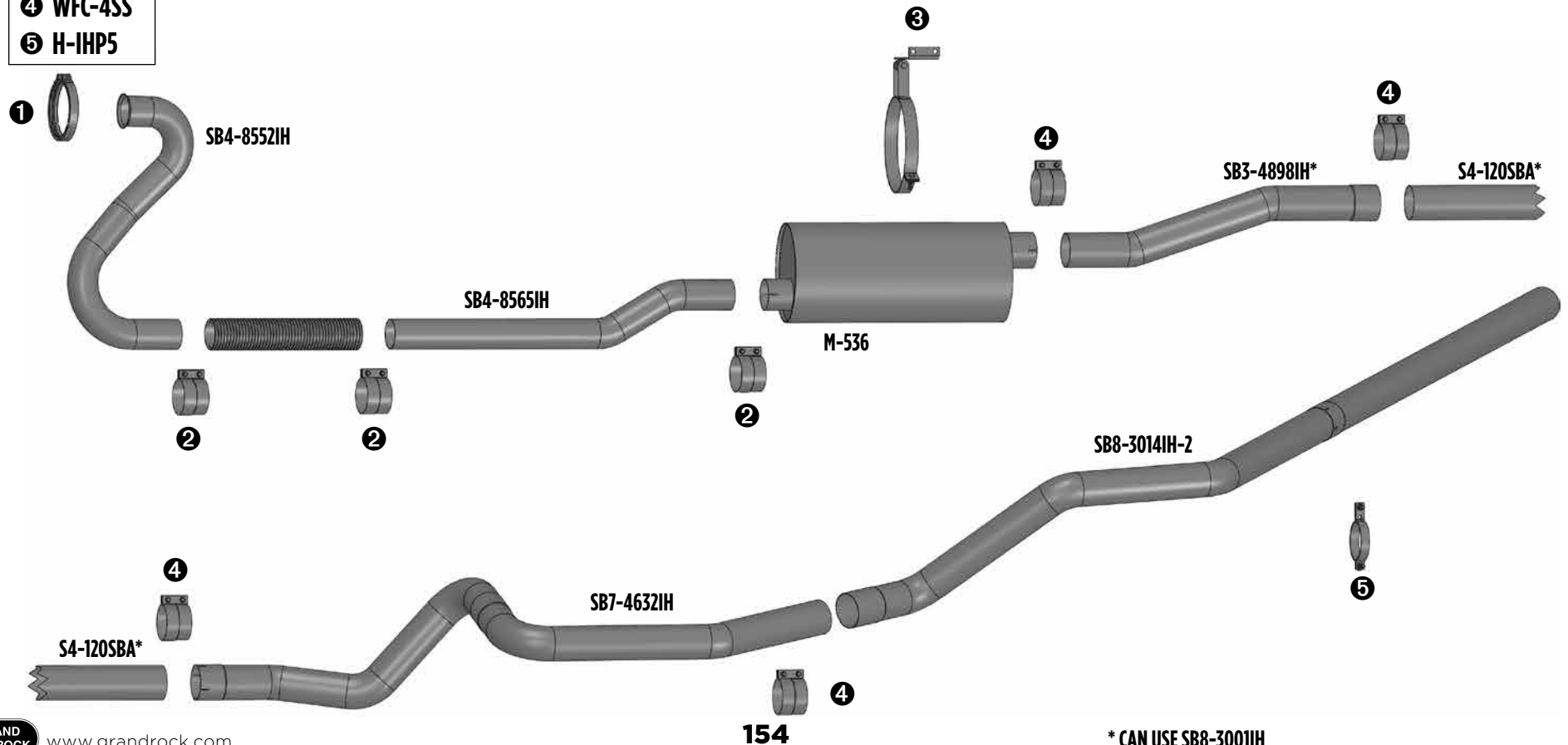


INTERNATIONAL SCHOOL BUS APPLICATIONS

INT620 - '91 - '93 6 Cyl. Series "S"; 3700, 3800; w/ DT466, DTA466 Diesel Eng.; Allison MTB643 Auto. Trans; w/ Air Suspension; Long Tail Pipe - Right Side Exit

Clamps

- ① VB-350I
- ② WFC-35SS
- ③ H-IHM6
- ④ WFC-4SS
- ⑤ H-IHP5

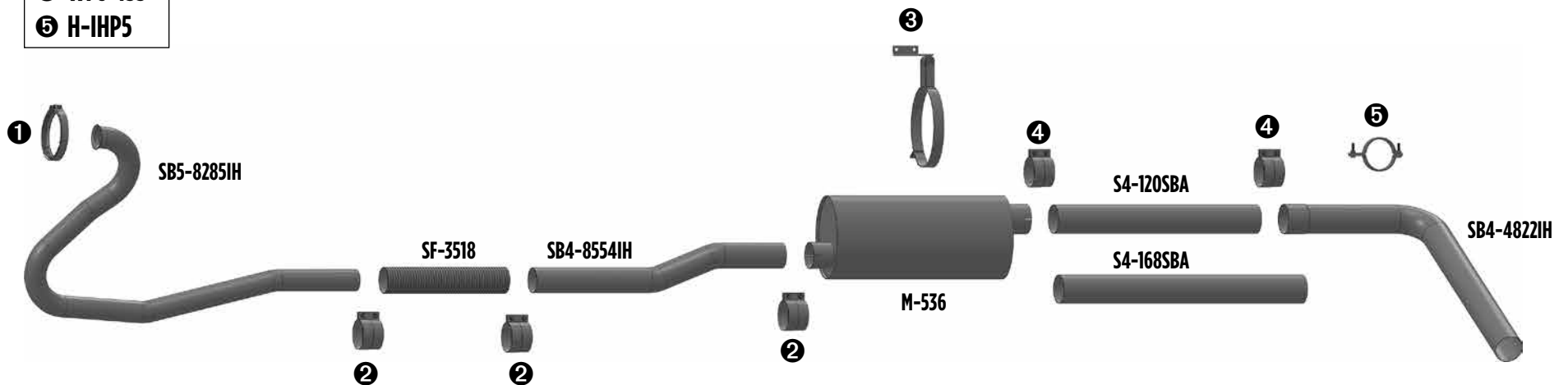


INTERNATIONAL SCHOOL BUS APPLICATIONS

INT621 - '91 - '93 6 Cyl. Series "S" 3700, 3800; w/ DT360, DTA360 Diesel Eng. Short Tail Pipe Left Side Exit in Front of Rear Wheel

Clamps

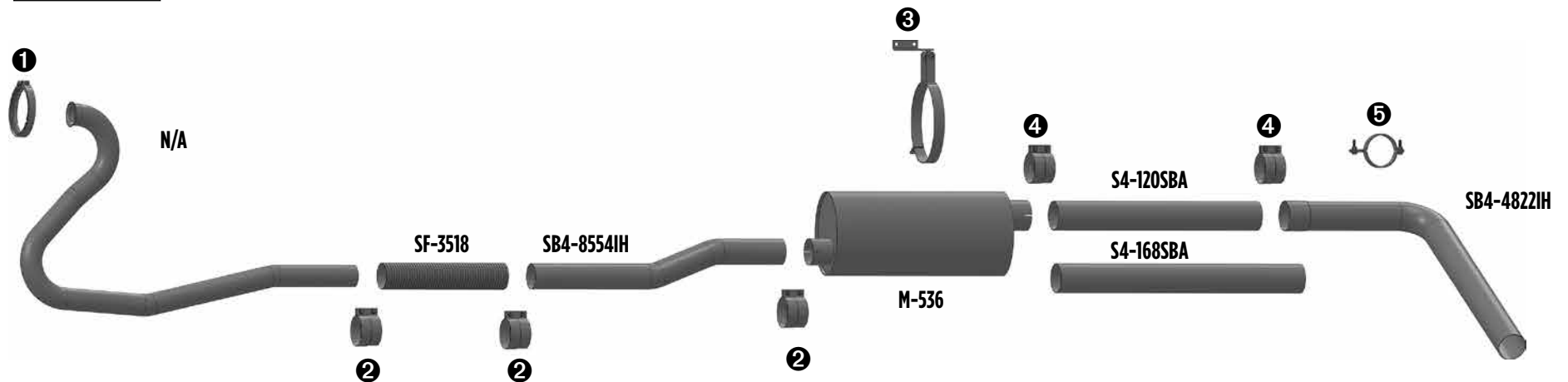
- ① VB-351I
- ② WFC-35SS
- ③ H-IHM6
- ④ WFC-4SS
- ⑤ H-IHP5



INT622 - '91 - '93 6 Cyl. Series "S"; 3700, 3800; w/ DT466, DTA466 Diesel Eng.; Short Tail Pipe-Left Side Exit in Front of Rear Wheel

Clamps

- ① VB-350I
- ② WFC-35SS
- ③ H-IHM6
- ④ WFC-4SS
- ⑤ H-IHP5



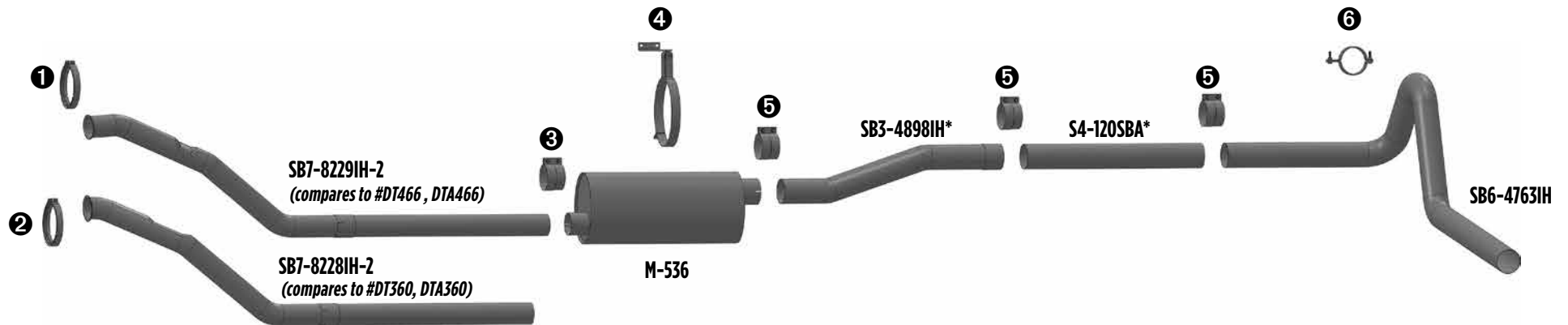
INTERNATIONAL SCHOOL BUS APPLICATIONS

INT623 - '91 - '93 6 Cyl. 3900 FC Series; w/ DT360, DTA360 Diesel Eng.; Short Tail Pipe-Left Side Exit in Front of Rear Wheel

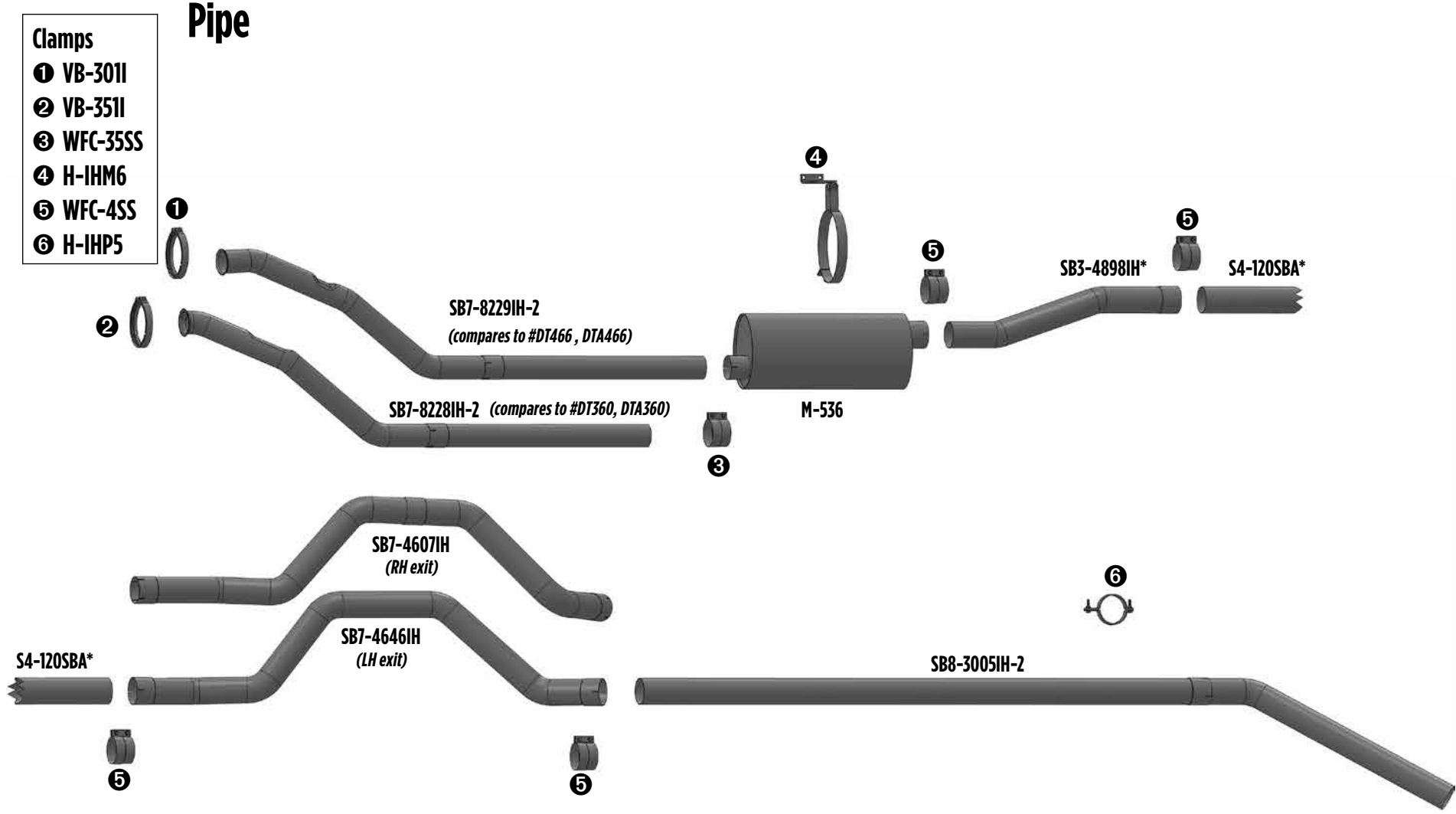
'91- '93 6 Cyl. 3900 FC Series; w/ DT466, DTA466 Diesel Eng.; Short Tail Pipe-Left Side Exit in Front of Rear Wheel

Clamps

- ❶ VB-301I
- ❷ VB-351I
- ❸ WFC-35SS
- ❹ H-IHM6
- ❺ WFC-4SS
- ❻ H-IHP5



INT624 - '91 - '93 6 Cyl. 3900 FC Series; DT/DTA360, DT/DTA466 Diesel Eng.; w/o Air Suspension; Long Tail

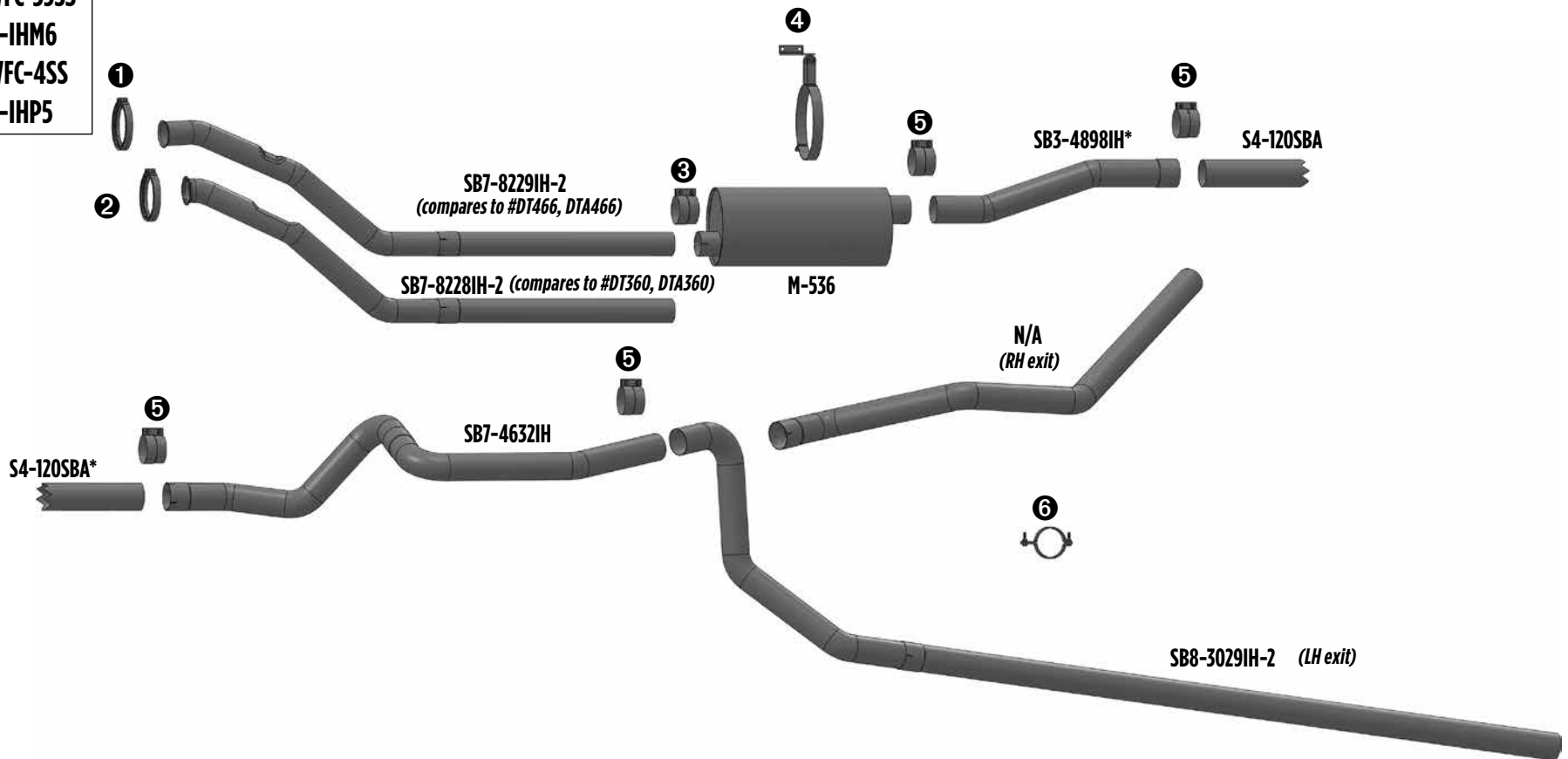


INTERNATIONAL SCHOOL BUS APPLICATIONS

INT625 - '91 - '93 6 Cyl. 3900 FC Series; w/ DT360, DTA360, DT466, DTA466 Diesel Eng.; w/Air Suspension, Long Tail Pipe

Clamps

- ① VB-301I
- ② VB-351I
- ③ WFC-35SS
- ④ H-IHM6
- ⑤ WFC-4SS
- ⑥ H-IHP5

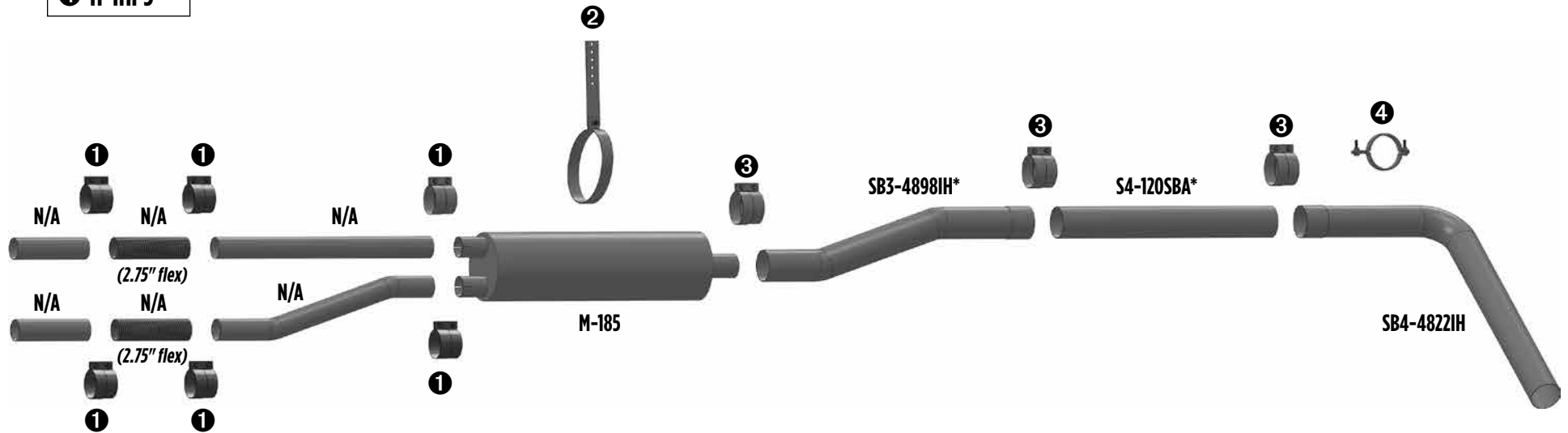


INTERNATIONAL SCHOOL BUS APPLICATIONS

INT626 - '91 - '93 6 Cyl. Series 3700, 3800; w/ 7.3L Diesel; LH Side Exit in Front of Rear Wheel; 152"-276" W.B.

Clamps

- ❶ PF-275
- ❷ OMH-8511
- ❸ WFC-4SS
- ❹ H-IHP5



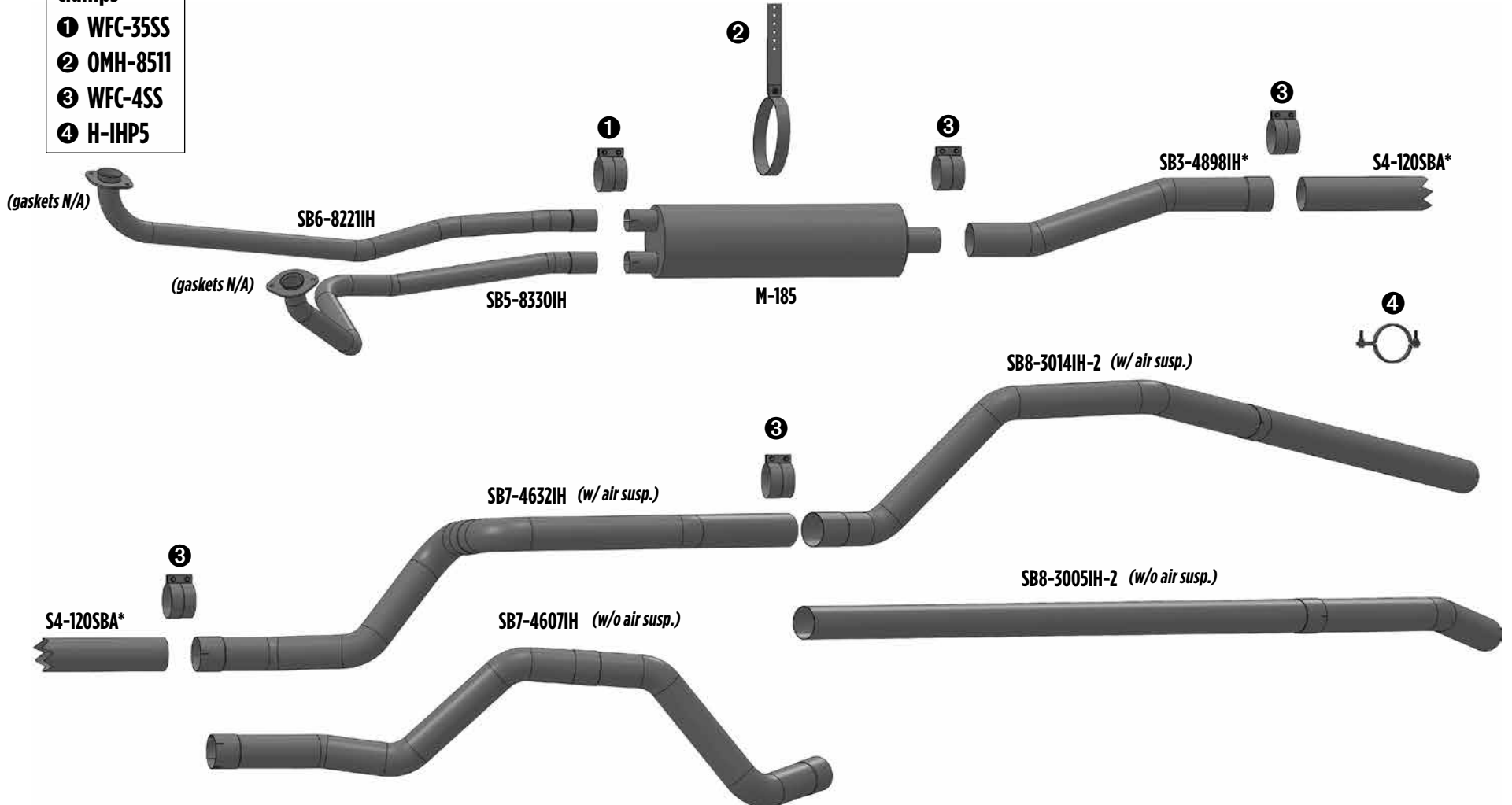
*** CAN USE SB8-3001IH**

INTERNATIONAL SCHOOL BUS APPLICATIONS

INT627 - '88 - '93 8 Cyl. Series "S"; 3600, 3700; 7.3L Diesel Eng.; w/o Air Susp.; RH Mounted Tail Pipe
'88 - '93 8 Cyl. Series "S"; 3600, 3700; 7.3L Diesel Eng.; w Air Susp.; RH Mounted Tail Pipe

Clamps

- ① WFC-35SS
- ② OMH-8511
- ③ WFC-4SS
- ④ H-IHP5

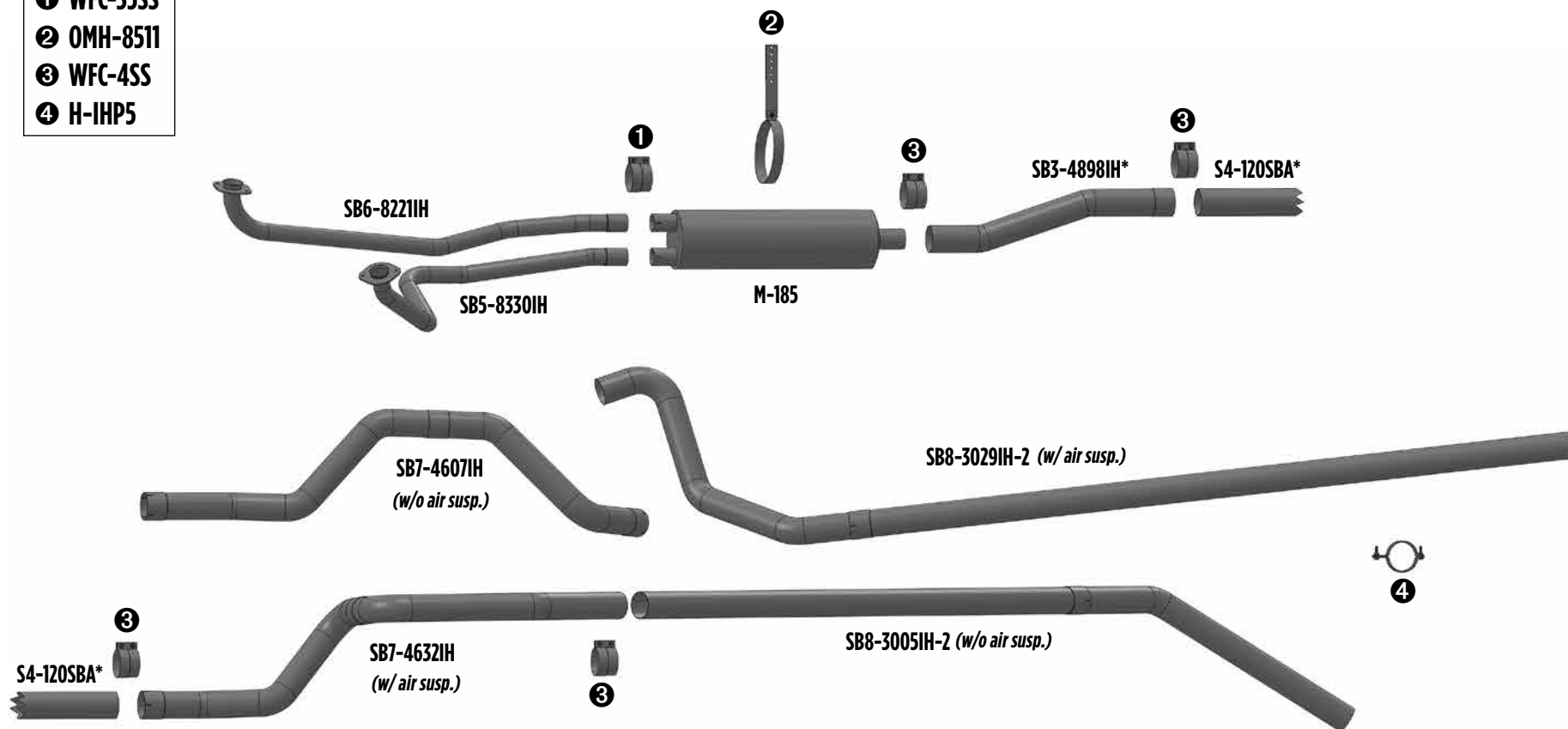


INTERNATIONAL SCHOOL BUS APPLICATIONS

INT628 - '88 - '93 8 Cyl. Series "S"; 3600, 3700; 7.3L Diesel Eng.; w/o Air Susp.; LH Mounted Tail Pipe
'88 - '93 8 Cyl. Series "S"; 3600, 3700; 7.3L Diesel Eng.; w Air Susp.; LH Mounted Tail Pipe

Clamps

- ① WFC-35SS
- ② OMH-8511
- ③ WFC-4SS
- ④ H-IHP5



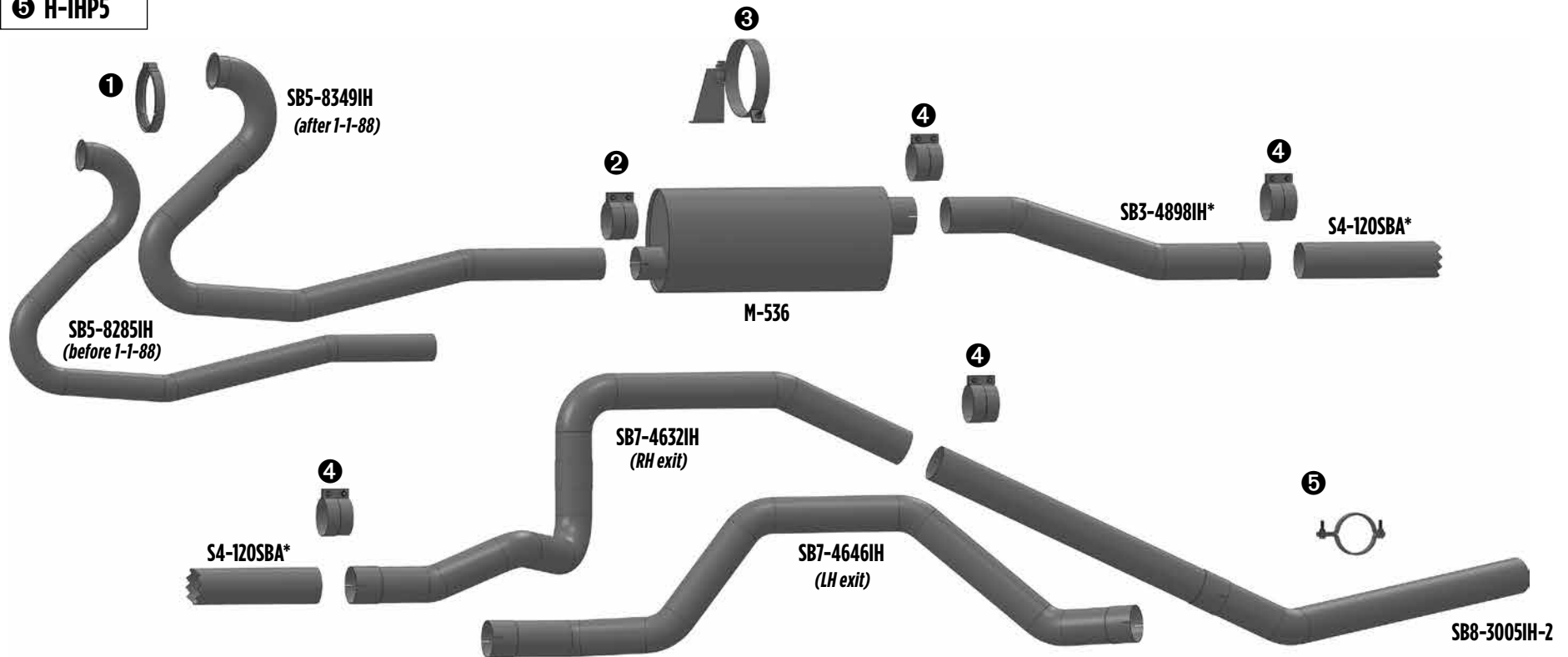
INTERNATIONAL SCHOOL BUS APPLICATIONS

INT629 - '87 - '93 6 Cyl. Series "S"; 3600, 3700, 3800; DT/DTA360 Diesel Eng.; w/o Air Susp. w/ Mor-Ryde or Vari-Rate Susp.; Long Tail Pipe - Left Side Exit

'87 - '93 6 Cyl. Series "S"; 3600, 3700, 3800; DT/DTA360 Diesel Eng.; w/o Air Susp.; Long Tail Pipe - Right Side Exit

Clamps

- ① VB351I
- ② WFC-35SS
- ③ H-IHM6
- ④ WFC-4SS
- ⑤ H-IHP5

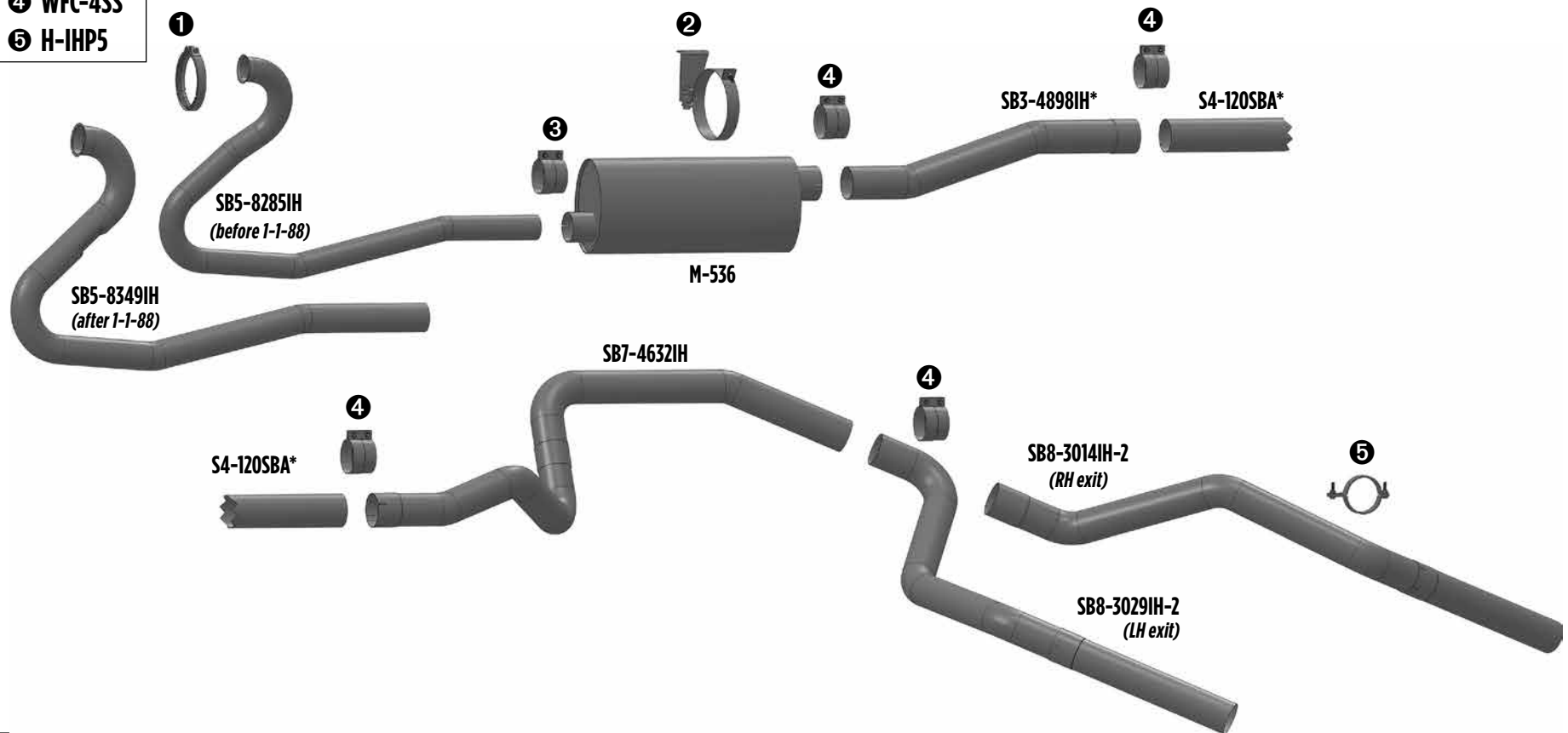


INT630 - '87 - '93 6 Cyl. Series "S"; 3700, 3800; DT/DTA360 Diesel Eng.; w/ Air Susp.; Long Tail Pipe - Left Side Exit

Clamps

- ① VB-351I
- ② H-IHM6
- ③ WFC-35SS
- ④ WFC-4SS
- ⑤ H-IHP5

'87 - '93 6 Cyl. Series "S"; 3600, 3700, 3800; DT/DTA360 Diesel Eng.; w/ Air Susp.; Long Tail Pipe - Right Side Exit



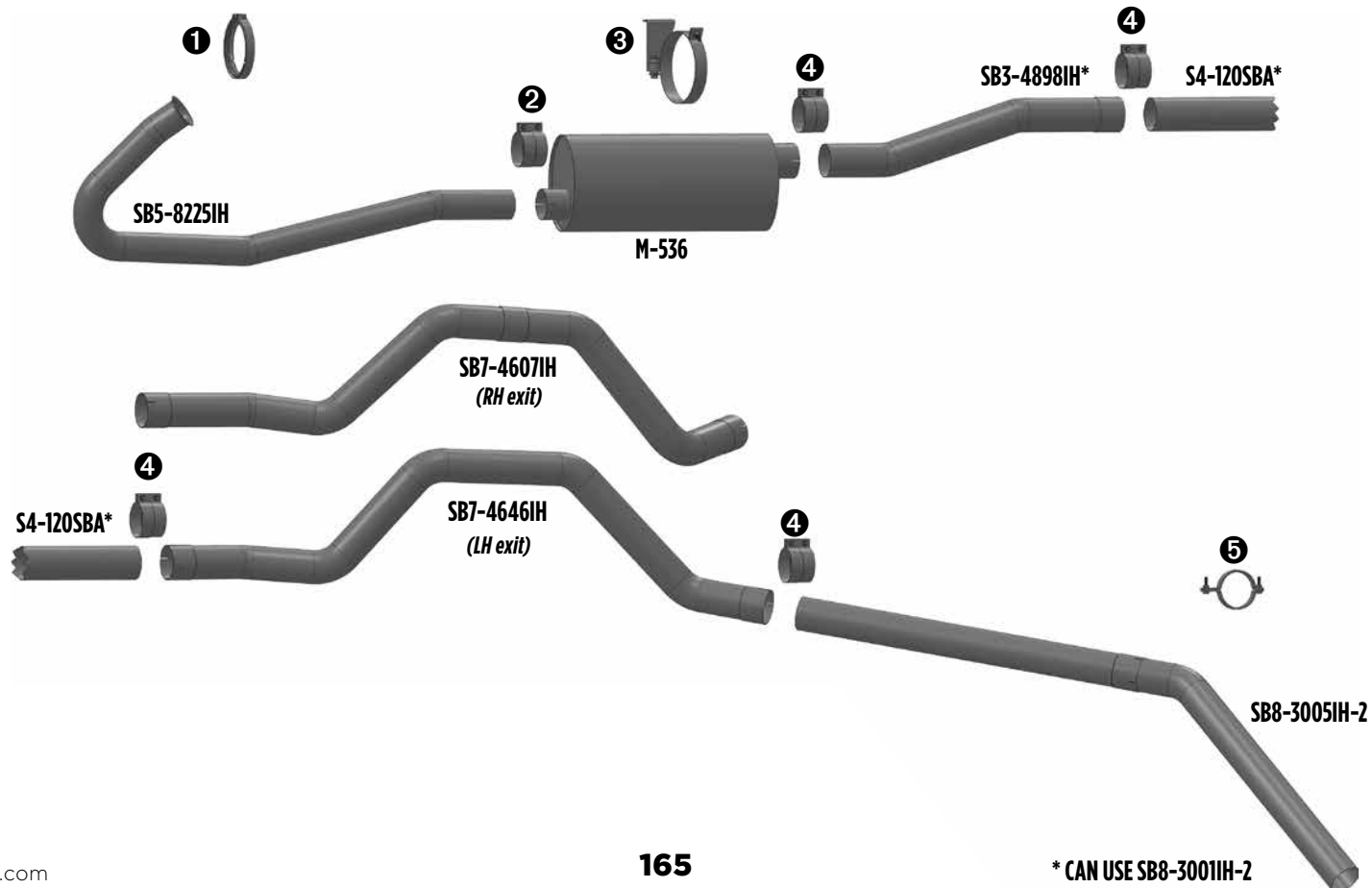
INTERNATIONAL SCHOOL BUS APPLICATIONS

INT631 - '87 - '93 6 Cyl. Series "S"; 3700, 3800; DT/DTA466 Diesel Eng.; w/ Mor-Ryde or Vari-Rate Susp.; exc. Allison MTB643 Auto. Trans.; Long Tail Pipe - Left Side Exit

'87 - '93 6 Cyl. Series "S"; 3700, 3800; DT/DTA466 Diesel Eng.; w/o Air Susp.; exc. Allison MTB643 Auto. Trans.; Long Tail Pipe - Right Side Exit

Clamps

- ❶ VB-350I
- ❷ WFC-35SS
- ❸ H-IHM6
- ❹ WFC-4SS
- ❺ H-IHP5

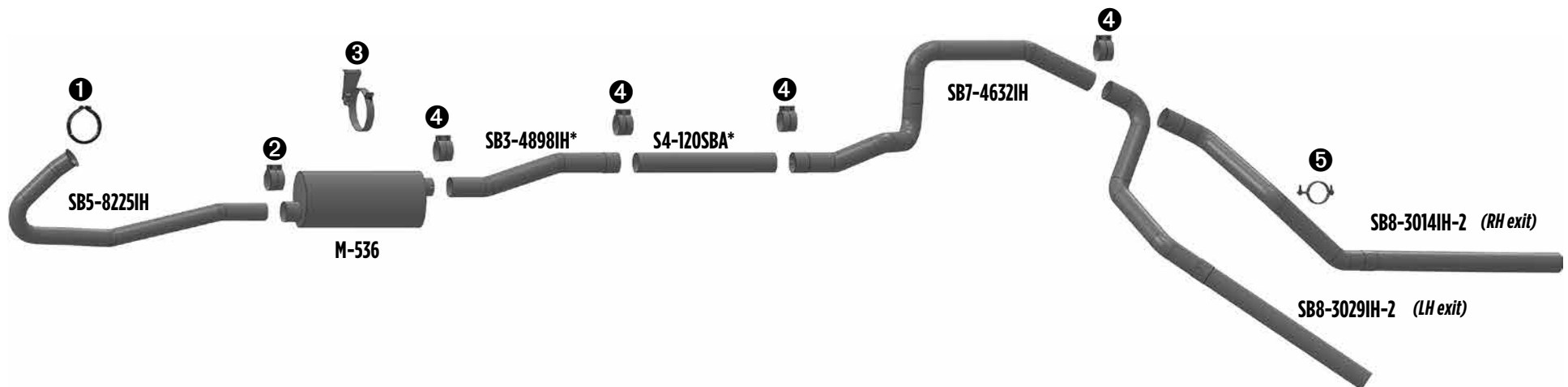


INT632 - '87 - '93 6 Cyl. Series "S"; 3700, 3800; DT/DTA466 Diesel Eng.; w. Air Susp.; exc. Allison MTB643 Auto. Trans.; Long Tail Pipe - Right Side Exit

Clamps

- ① VB-350I
- ② WFC-35SS
- ③ H-IHM6
- ④ WFC-4SS
- ⑤ H-IHP5

'87 - '93 6 Cyl. Series "S"; 3700, 3800; DT/DTA466 Diesel Eng.; w. Air Susp.; Long Tail Pipe - Left Side Exit

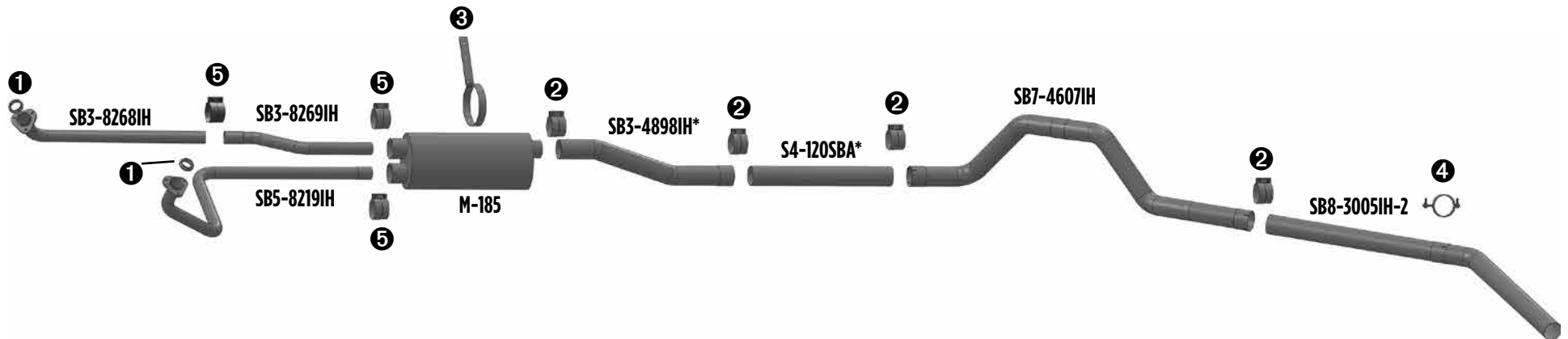


INTERNATIONAL SCHOOL BUS APPLICATIONS

INT633 - '80 - '89 8 Cyl. Model 1853; 9.0L Diesel Eng.

Clamps

- ① G-IH3
- ② WFC-4SS
- ③ OMH-8511
- ④ H-IHP5
- ⑤ PF-275SS

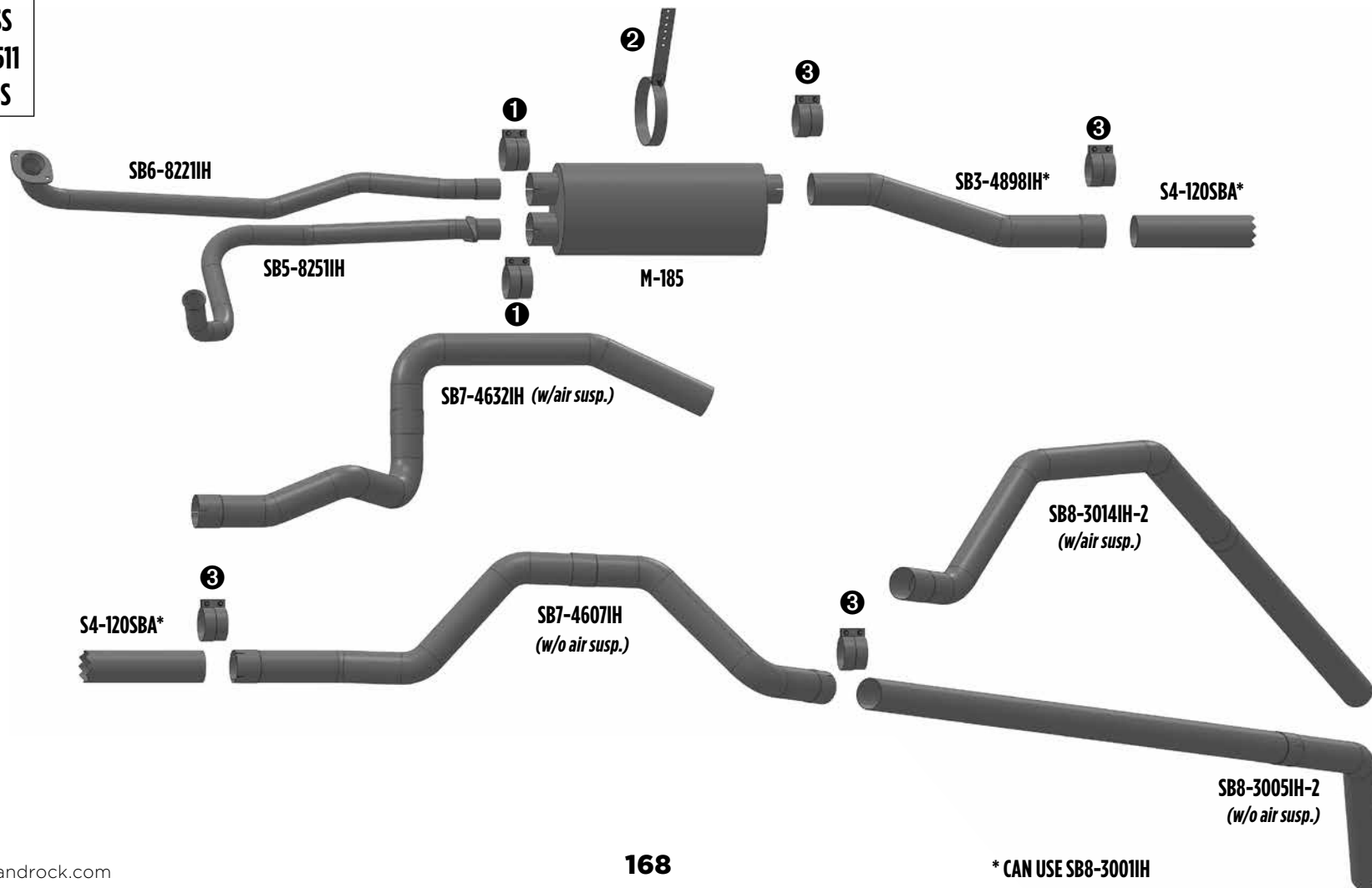


INT634 - '83 - '88 8 Cyl. Series "S"; 6.9L Diesel Eng.; w/o Air Susp.; RH Mounted Tail Pipe

'83 - '88 8 Cyl. Series "S"; 6.9L Diesel Eng.; w Air Susp.; RH Mounted Tail Pipe

Clamps

- ① PF-275SS
- ② OMH-8511
- ③ WFC-4SS



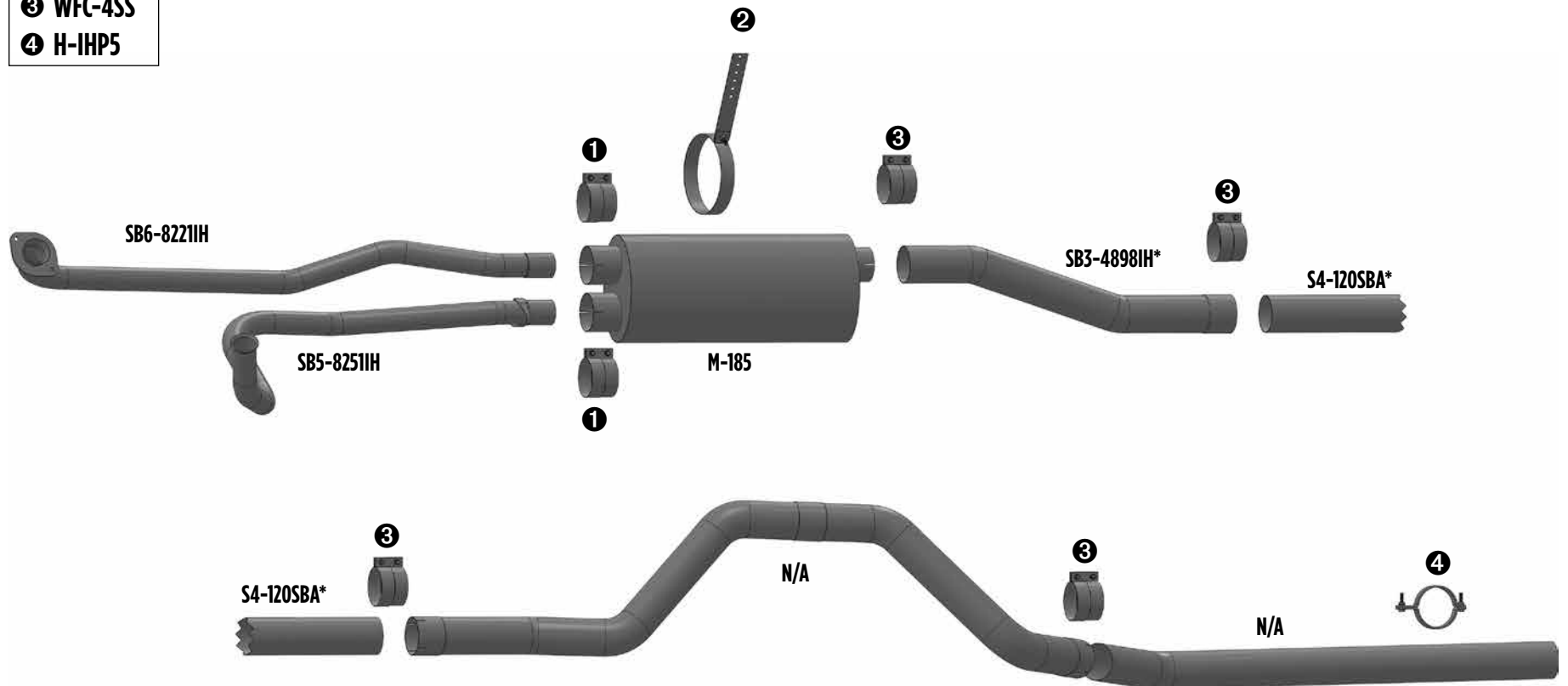
INTERNATIONAL SCHOOL BUS APPLICATIONS

INT635 - '83 - '88 8 Cyl. Series "S"; 6.9L Diesel Eng.; w/o Air Susp.; LH Mounted Tail Pipe

'83 - '88 8 Cyl. Series "S"; 6.9L Diesel Eng.; w Air Susp.; LH Mounted Tail Pipe

Clamps

- ❶ PF-275SS
- ❷ OMH-8511
- ❸ WFC-4SS
- ❹ H-IHP5



* CAN USE SB8-3001IH

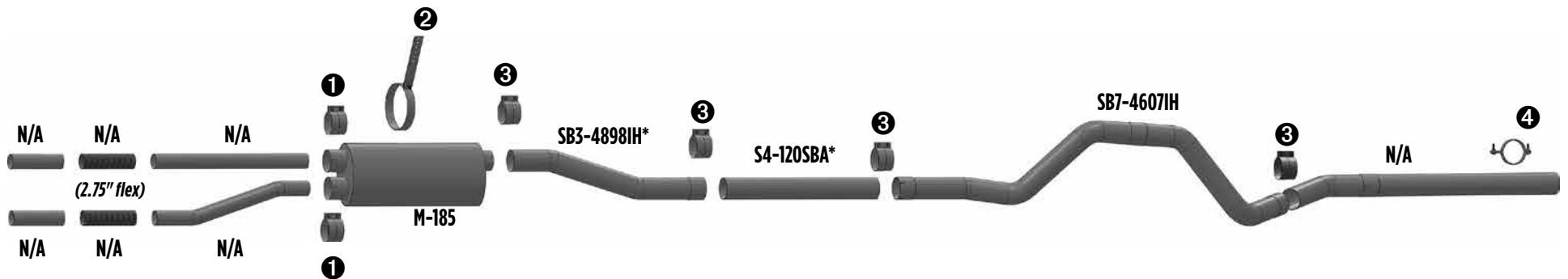
Many parts can be made available upon request. Certain restrictions, product availability, pricing, lead time and other variables exist. Please contact us for more information on these parts.

INTERNATIONAL SCHOOL BUS APPLICATIONS

INT636 - '80 - '87 8 Cyl. Model 1853; w/ 3208 Eng.

Clamps

- ① PF-275SS
- ② OMH-8511
- ③ WFC-4SS
- ④ H-IHP5



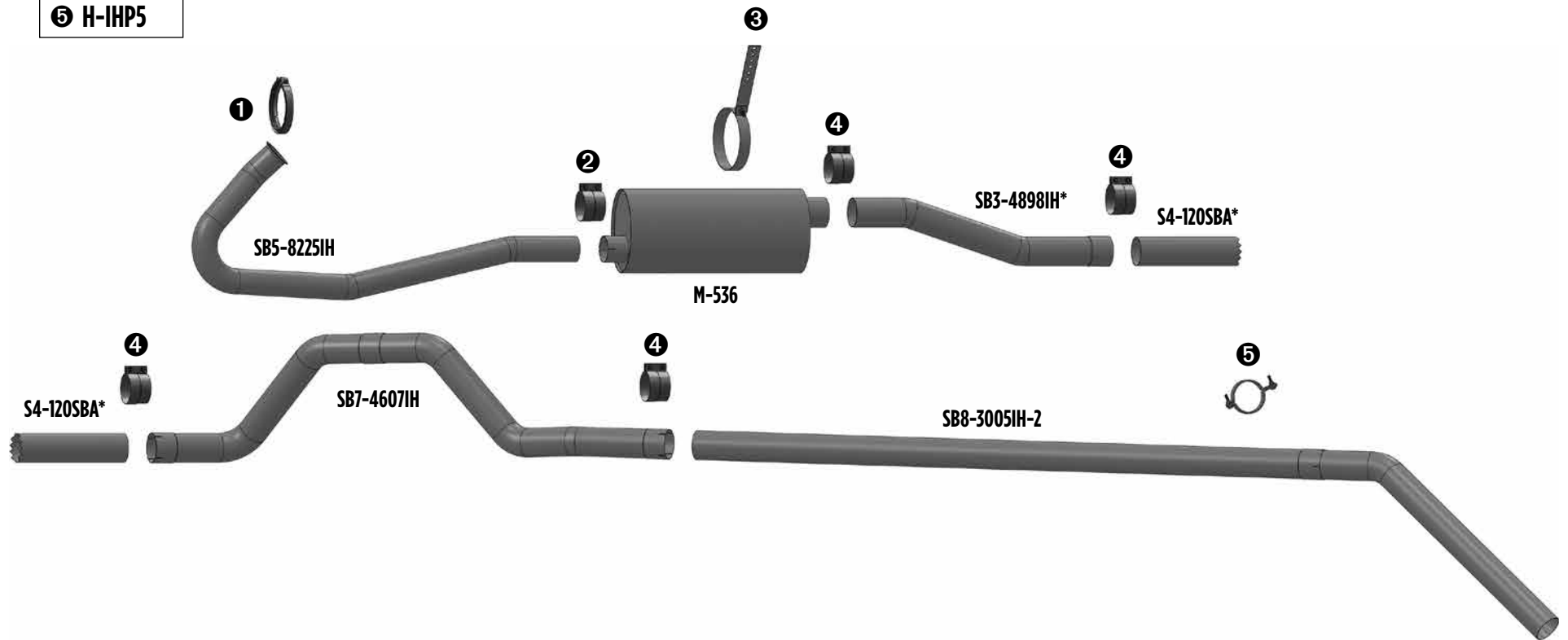
* CAN USE SB8-3001IH

INTERNATIONAL SCHOOL BUS APPLICATIONS

INT637 - '79 - '87 6 Cyl. Model 1853; DT466 Diesel Eng.

Clamps

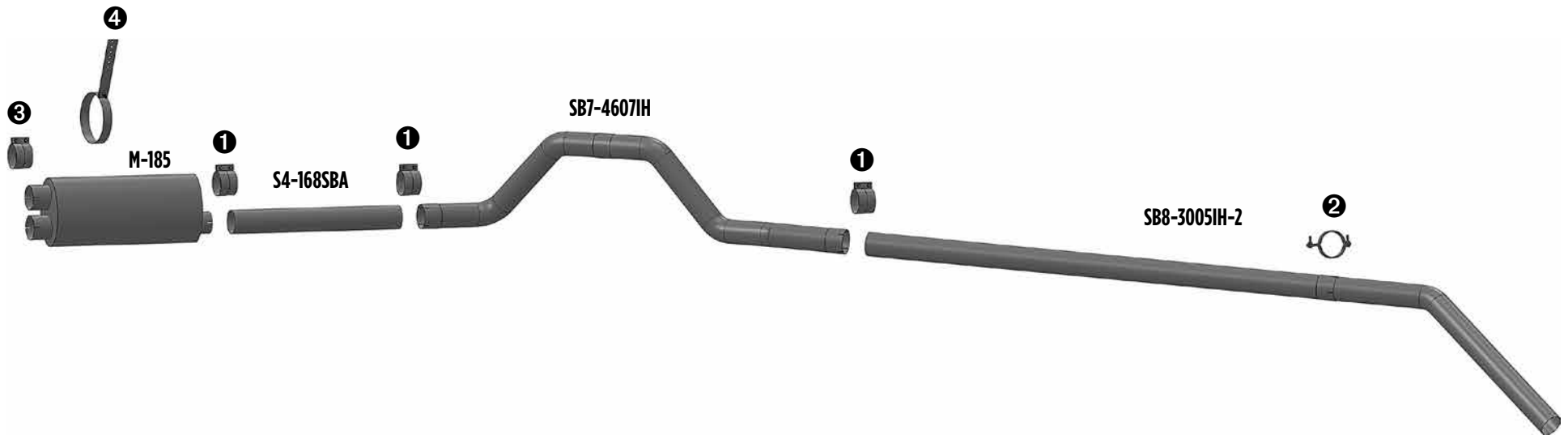
- ① VB-350I
- ② WFC-35SS
- ③ OMH-851I
- ④ WFC-4SS
- ⑤ H-IHP5



INT638 - 1979 8 Cyl. Models D150, D170, D190 After 1-10-79 (exc. Aux. Spicer 4 Speed Transmission Code 13552); 152", 170", 193", 218", 236", 254" & 276" W.B.




Clamps

- ① WFC-4SS
- ② H-IHP5
- ③ PF-275SS
- ④ OMH-8511



INTERNATIONAL SCHOOL BUS APPLICATIONS

UNIVERSAL NEW PARTS 2013

	GRAND ROCK PART NO.	OE PART NO.	DESCRIPTION	2 PIECE PIPE 2nd PART NEEDED
	SB12-0990IH	3580990C1	4" X 141.5" OD/OD PIPE	
	SB3-4504IH	2004504C1	86-94 SCHOOL BUS AND MEDIUM DUTY TRUCK TURBO PIPE; 3.5" 2 BEND TURBO PIPE 86 AND UP DT 466 MEDIUM DUTY TRUCK/ 91 TO 94 DT 466 SCHOOL BUS	
	SB3-5589IH	3815589C1	07 AND UP IH IC REAR ENGINE TAILPIPE 6" S.S.; 6" ALZ. 2 BEND W/HANGER & CLAMP; ID/OD	