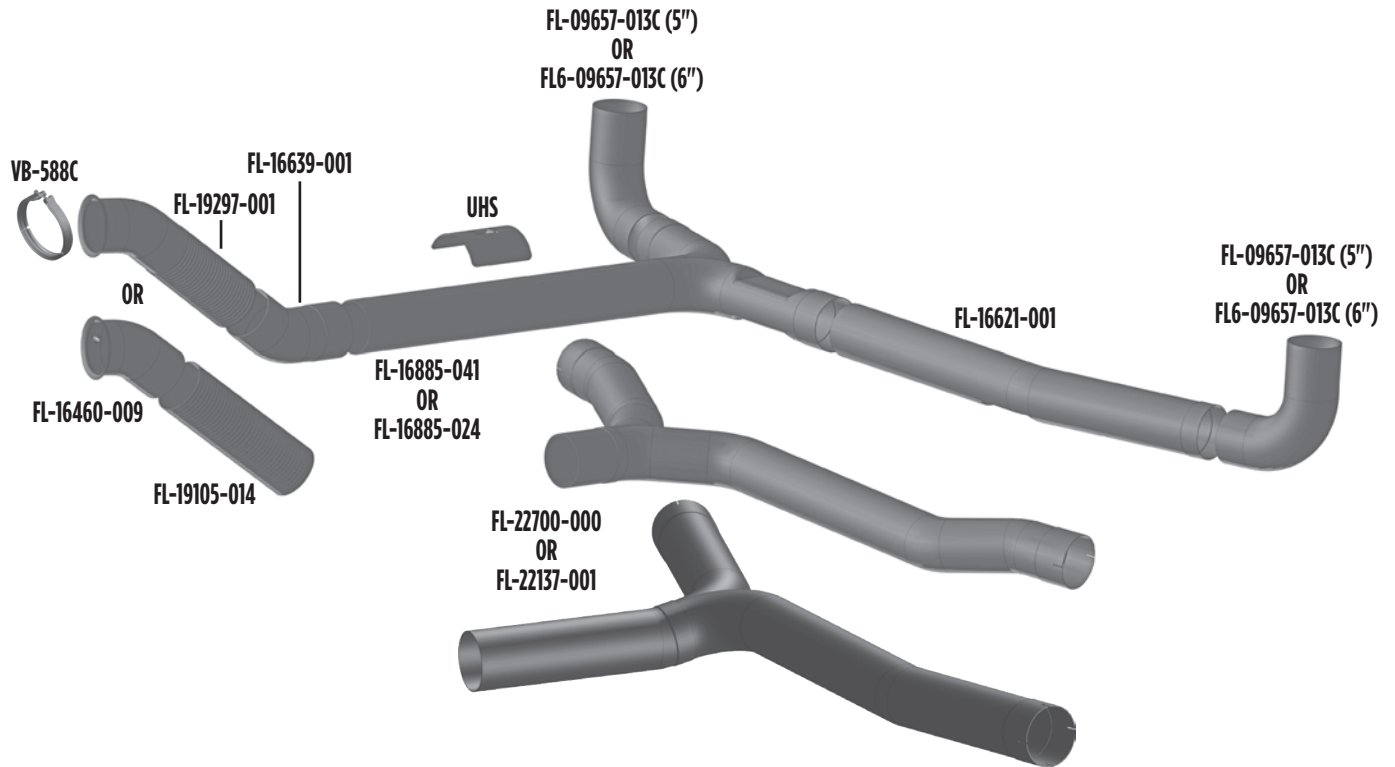
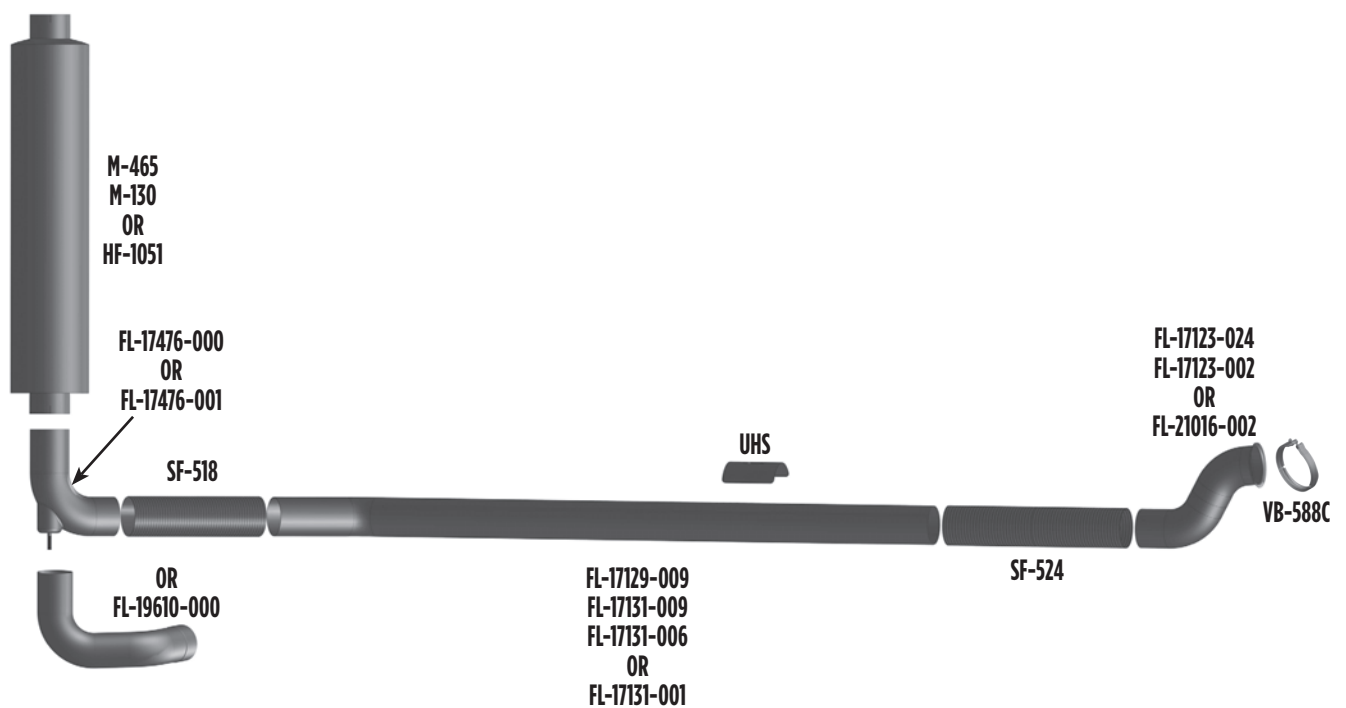


## Freightliner Classic Model



## Freightliner Century and Columbia



# FREIGHTLINER HEAVY DUTY TRUCKS

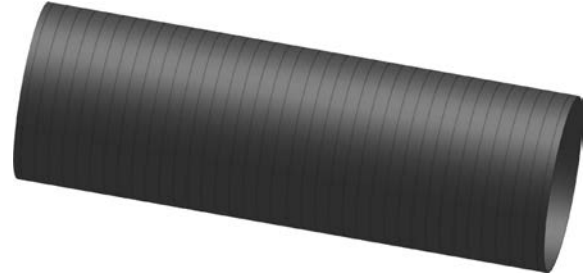
## PART NO. FL-16460-009

• Compares to: 04-16460-009



## PART NO. FL-19105-014

• Compares to: 04-19105-014



## PART NO. FL-19297-001

• Compares to: A04-19297-001



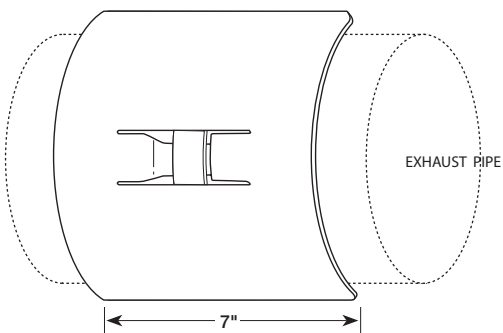
## PART NO. FL-16639-001

• Compares to: 04-16639-001



## PART NO. UHS

• Compares to: 04-16566-003



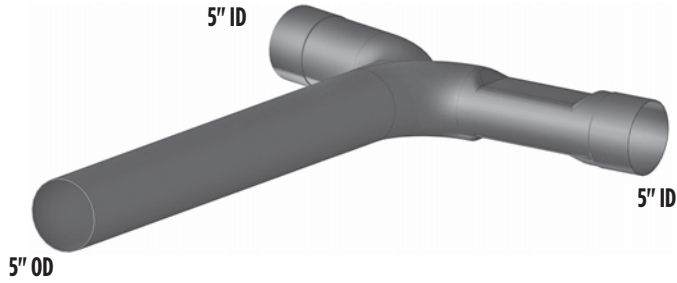
## PART NO. FL-16621-001

• Compares to: 04-16621-001



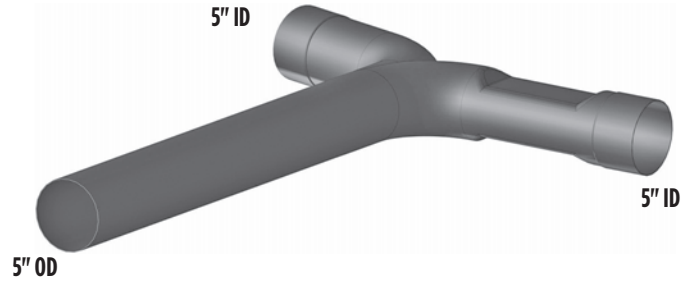
**PART NO. FL-16885-041**

• Compares to: 04-16885-041



**PART NO. FL-16885-024**

• Compares to: 04-16885-024



**PART NO. FL-19610-000**

• Compares to: 04-19610-000



**PART NO. FL-22700-000**

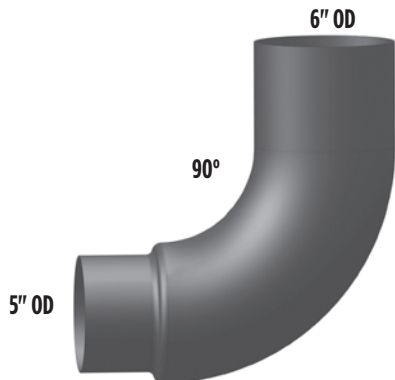
• Compares to: 04-22700-000



**PART NO. FL6-09657-013C**

• Compares to: 04-09657-013

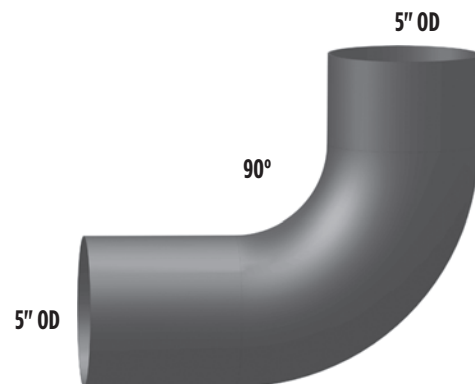
**CHROME**



**PART NO. FL-09657-013C**

• Compares to: 04-09657-013

**CHROME**



# FREIGHTLINER HEAVY DUTY TRUCKS

## PART NO. FL-17123-024

- Compares to: 04-17123-024



## PART NO. FL-17123-002

- Compares to: 04-17123-002



## PART NO. FL-21016-002

- Compares to: 04-21012-002



## PART NO. FL-17131-009

- Compares to: 04-17131-009 (long)



## PART NO. FL-17131-001

- Compares to: 04-17131-001 (short)



## PART NO. FL-17131-006

- Compares to: 04-17131-006 (medium)



**PART NO. FL-17476-000**

• Compares to: A04-17476-000



**PART NO. FL-17476-001C**

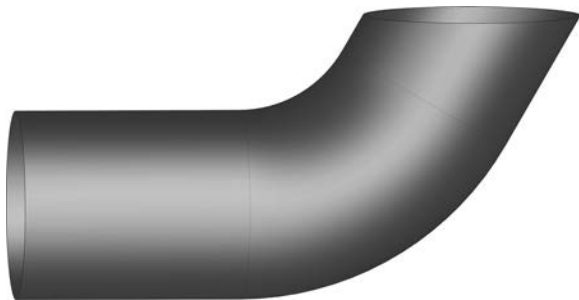
• Compares to: A04-17476-001

**CHROME**



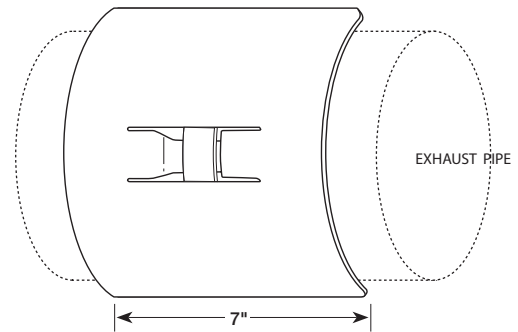
**PART NO. FL-16759-012**

• Compares to: 04-16759-012



**PART NO. UHS**

• Compares to: 04-16566-003

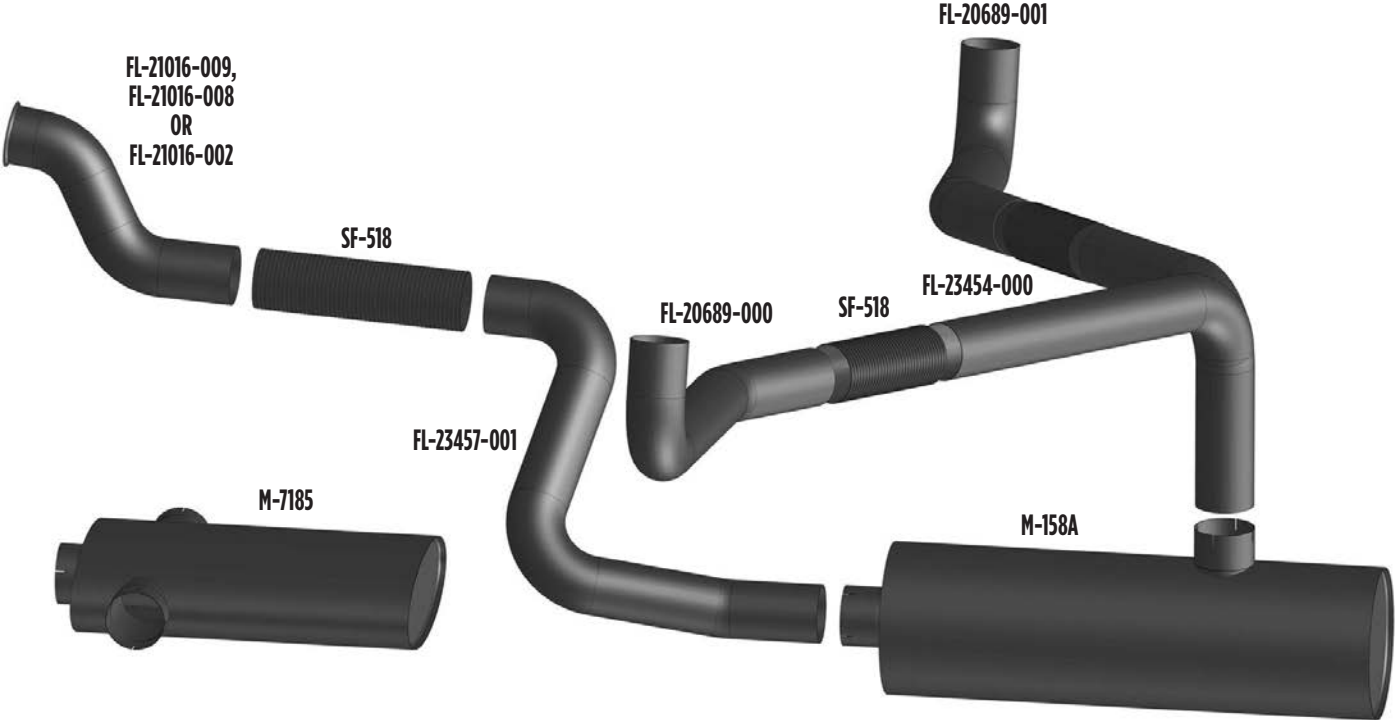


**PART NO. FL-17129-009**

• Compares to: 04-17129-009



# Freightliner Columbia Model



| PART NO:     | COMPARES TO: | DESCRIPTION: |
|--------------|--------------|--------------|
| FL-21016-002 | 04-21016-002 | 28° & 25°    |
| FL-2106-008  | 04-21016-008 | 55° & 60°    |
| FL-21016-009 | 04-21016-009 | 60° & 58°    |



**PART NO. FL-23457-001**

• Compares to: 04-23457-001



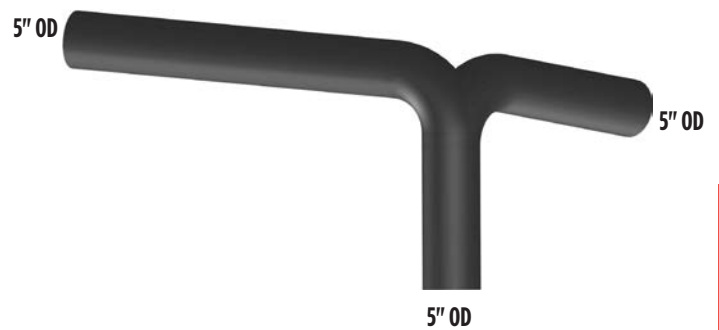
**PART NO. M-158A**

• Compares to: 04-22804-000



**PART NO. FL-23454-000**

• Compares to: 04-23454-000



**PART NO. FL-20689-000**

• Compares to: 04-20689-000



**PART NO. FL-20689-001**

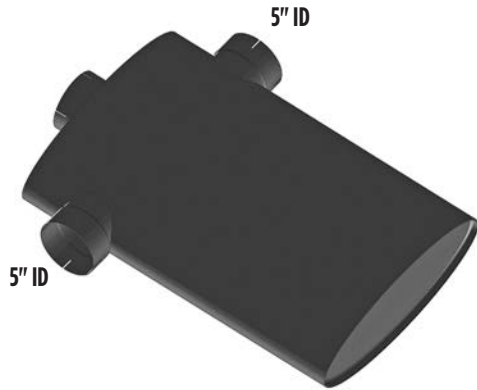
• Compares to: 04-20689-001



# FREIGHTLINER HEAVY DUTY TRUCKS

## PART NO. M-7185

- Compares to: 04-20185-000



## PART NO. FL-27334-018

- Compares to: A04-27334-018 or A04-26200-018



## PART NO. FL-28522-000

- Compares to: A04-28522-000 or A04-25022-018



## PART NO. FL-28578-000

- Compares to: A04-28578-000, A04-26193-018, or A04-25922-018



## WFF FLEX

| PART NO. | COMPARES TO  |
|----------|--------------|
| WFF-512  | 04-19105-012 |
| WFF-515  | 04-19105-015 |
| WFF-518  | 04-19105-018 |
| WFF-521  | 04-19105-021 |
| WFF-524  | 04-19105-024 |





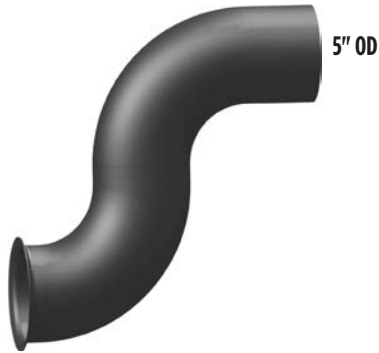
**FLD and Other Models**

**PART NO. FL-17094-012**

- Compares to: 04-17094-012

**PART NO. FL-17094-013**

- Compares to: 04-17094-012 with Pyro Fitting



**PART NO. FL-17094-014**

- Compares to: 04-17094-014

**PART NO. FL-17094-020**

- Compares to: 04-17094-020

**PART NO. FL-17094-015**

- Compares to: 04-17094-014 with Pyro Fitting



**PART NO. FL-17094-016**

- Compares to: 04-17094-016

**PART NO. FL-17094-030**

- Compares to: 04-17094-016 with Pyro Fitting



**PART NO. FL-15654-0**

- Compares to: 04-15654-000



**PART NO. FL-13974**

- Compares to: A04-13974-000



**PART NO. FL-15653-000 & FL-15653-002**

- Compares to: 04-15653-000 (aluminized)

**PART NO. FL-15653-001C & FL-15653-003C**

- Compares to: 04-15653-001 (chrome)



# FREIGHTLINER HEAVY DUTY TRUCKS

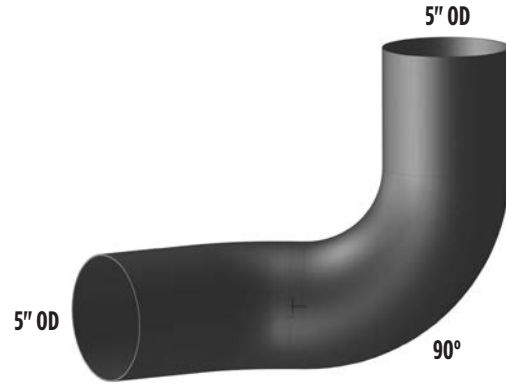
## PART NO. FL-15077-0

• Compares to: 04-15077-000



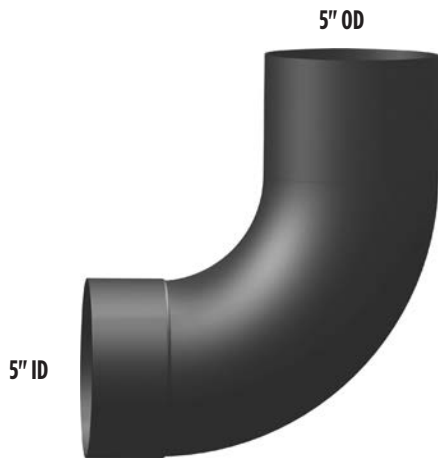
## PART NO. FL-15077-3

• Compares to: 04-15077-003



## PART NO. FL-15105-000

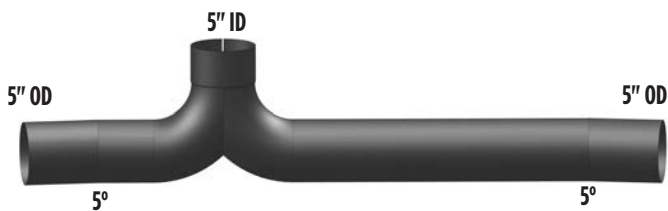
• Compares to: 04-15105-000



## Older FLC Conventional

## PART NO. FL-12104

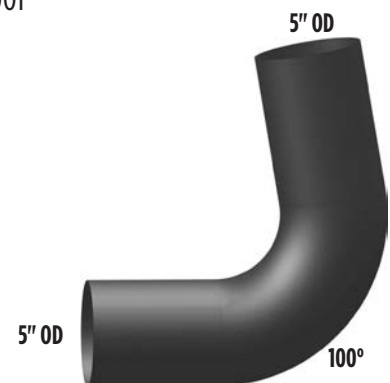
• Compares to: A04-12104-000



## PART NO. FL-12099-01C

• Compares to: 04-12099-001

**CHROME**



**PART NO. FL-16412-013**

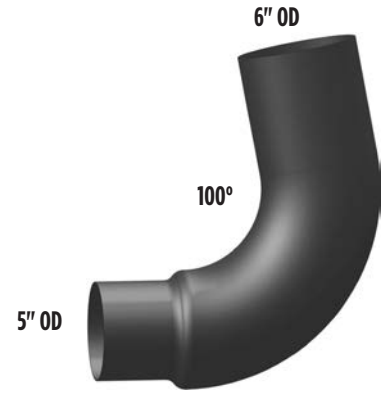
• Compares to: 04-16412-013



**PART NO. FL-6100C**

• Compares to: 04-12099-001

**CHROME**



**PART NO. FL-16638-029**

• Compares to: 04-16638-029



**PART NO. FL-16638-029C**

• Compares to: Chrome Version

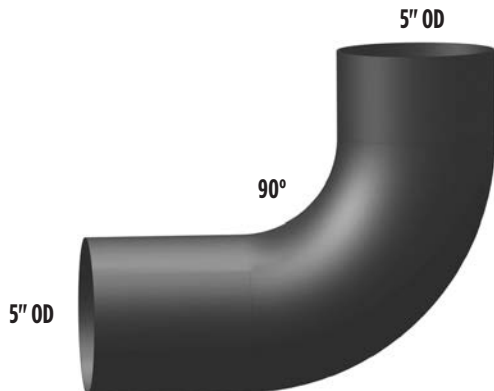
**CHROME**



**PART NO. FL-09586-013C**

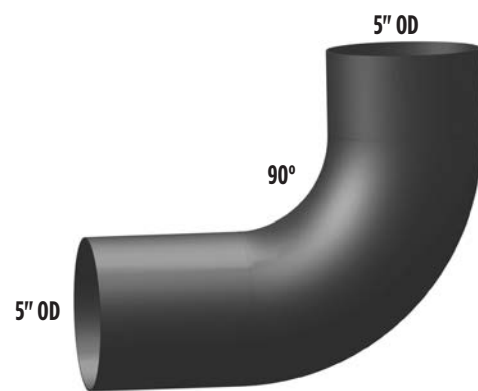
• Compares to: 04-09586-013

**CHROME**



**PART NO. FL-09856-013**

• Compares to: 04-09856-013



# FREIGHTLINER HEAVY DUTY TRUCKS

### PART NO. FL-9833-006

• Compares to: 04-09833-006



### PART NO. FL-26200-018

• Compares to: 04-26200-018



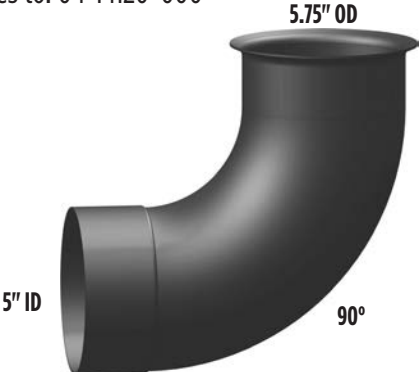
### PART NO. FL-11501-03

• Compares to: 04-11501-003



### PART NO. FL-14120

• Compares to: 04-14120-000



**PART NO. FL-11284-01C**

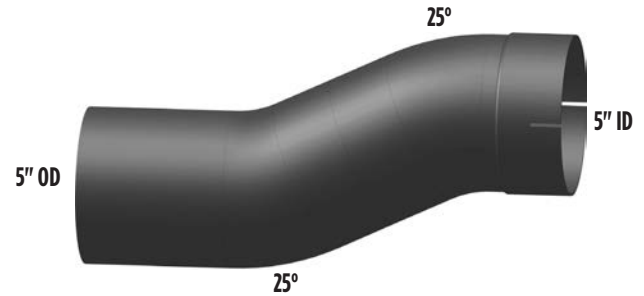
• Compares to: 04-11284-001

**CHROME**



**PART NO. FL-15780-000**

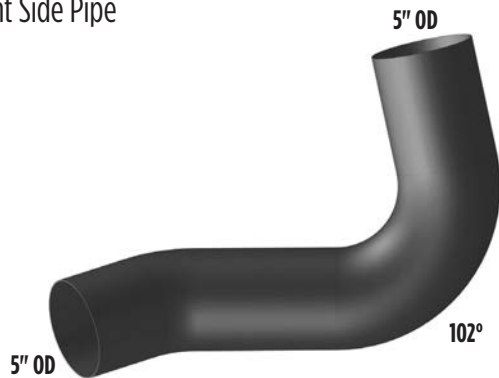
• Compares to: 04-1578-000



**PART NO. FL-15653-001C**

• Compares to: 04-15653-001  
• Right Side Pipe

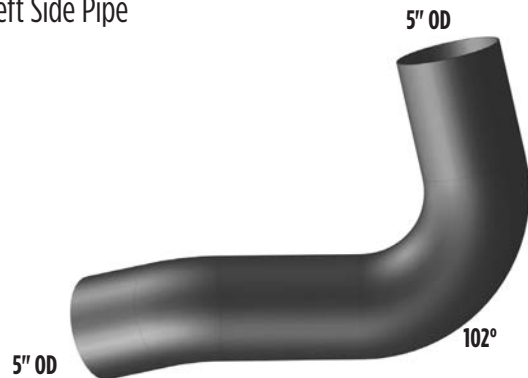
**CHROME**



**PART NO. FL-15653-003C**

• Compares to: 04-15653-002  
• Left Side Pipe

**CHROME**



**PART NO. FL-15654-001**

• Compares to: 04-15654-001



# FREIGHTLINER HEAVY DUTY TRUCKS

---

**PART NO. FL-12399-0**

- Compares to: 04-12399-000



**PART NO. FL-17123-043**

- Compares to: 04-17123-043

