

EMISSION SOLUTIONS

Emission Solutions

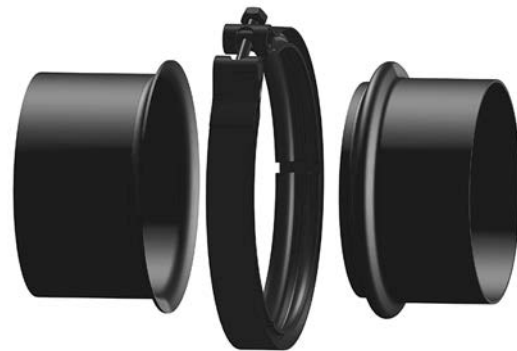
- Replacement for OE 2007+ bellows type section. All Stainless steel construction. Twist and stretch movement out performs the OE!



- A NEW generation of multi-ply stainless flex that gives you LEAK FREE performance with torsional movement! Stainless flex out performs bellows.



- Marmon flanges are available for 2.5" thru 5" diameter. Parts can be welded to almost any part that we have for a 100% leak free joint. 2007 + emission exhaust standard.

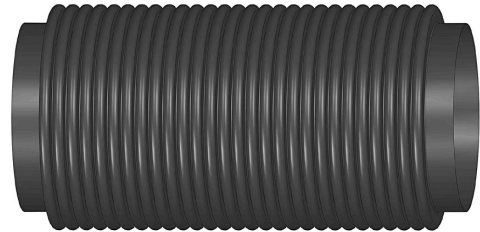


Bellows & Universal Heat Shields

Bellows

Bellows:

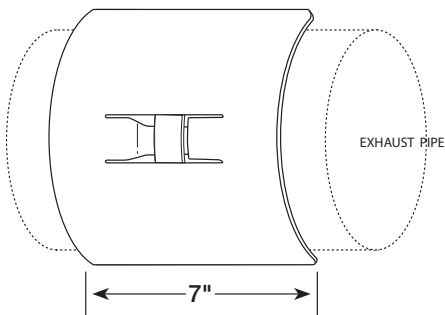
- Single Ply 304 Stainless
- Diameter, length, and part no. can be found in the flex hose section on page 77



Universal Heat Shields

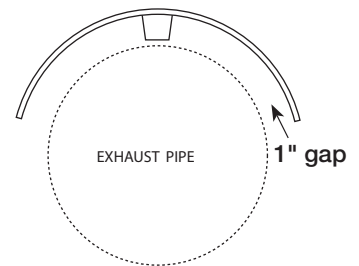
UNIVERSAL HEAT SHIELDS:

- Heat shield for exhaust pipe
- Protect wires, air, oil or fuel lines from extreme heat
- Universal fit, any diameter pipe
- Held on with strap clamp (included)



- Keep wiring, air, and hydraulic lines away from hot exhaust pipes
- Works on 3"- 6" diameter pipes

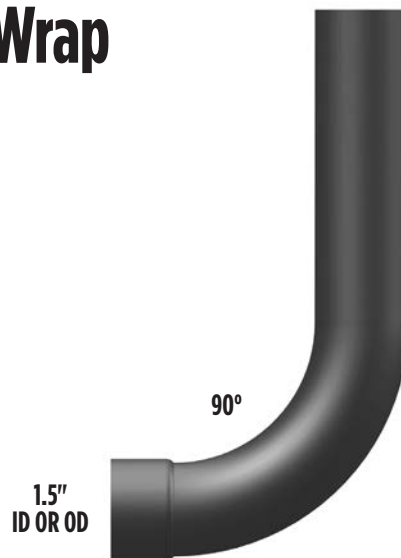
PART NO.	QTY.
UHS	1 PER BOX
UHS-B	10 PER BOX



APU & Heat Wrap

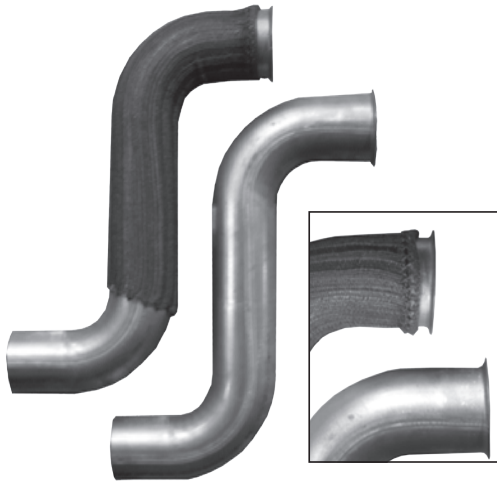
APU

APU or auxiliary heaters on your truck or bus and need to get the exhaust out? Call or send prints.



Heat Sleeves & Heat Wraps

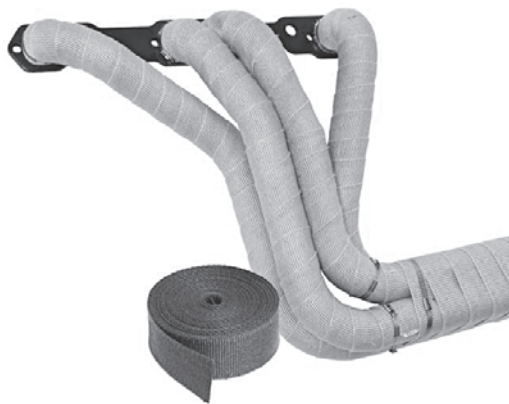
Either the heat sleeve or the heat wrap will reduce the outside temperature of a bare pipe by 300° F to 400° F



Heat Sleeve Kits

Slips onto 3" to 5" dia. pipe
Includes wrap clamps

PART NO.	LENGTH
HS-12	12"
HS-18	18"
HS-24	24"



Heat Wrap

Simple 2" wide roll, easy to install on any pipe

PART NO.	LENGTH
HW-2600	2" X 50' (600") ROLL



Heat Sleeve & Wrap Clamps

Wrap clamps make installation easy!
No tools needed.

PART NO.	LENGTH
HC-18SS	2 PC OF 18" LONG CLAMP
HC-18SSVP	12 PC OF 18" LONG CLAMP

Replacement for OE 2007+ Bellows Section

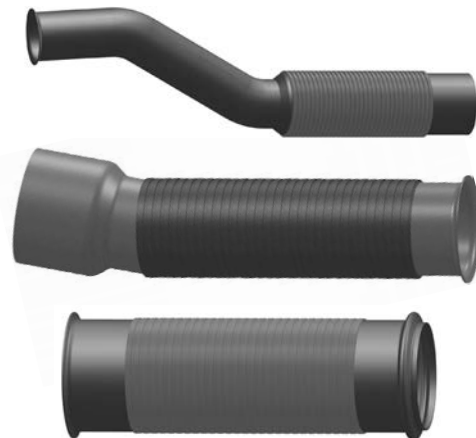
Freightliner/Western Star

PART NO.	SIMILAR TO	DIAMETER
FL-27334-018	A04-27334-18 OR A04-26200-018	5"
FL-28522-000	A04-28522-000 OR A04-25022-018	5"
FL-28578-000	04-28578-000 OR A04-25922-018 OR A04-26193-018	4"



International/Navistar

PART NO.	SIMILAR TO	DIAMETER
IH-1755C4	3811775C4	4" & 5"
IH-8113C5	3628113C5	4" & 5"
IH-6294C2	3826294C2	4" & 5"
IH-0024C3	3820024C3	4" & 5"



Paccar/Kenworth/Peterbilt

PART NO.	SIMILAR TO	DIAMETER
KW-6559	M66-6559	2.5"
KW-6541-0320	M66-6541-0320	4"
KW-6541-0335	M66-6541-0335	4"
KW-6541-0405	M66-6541-0405	4"
KW-6542-0320	M66-6542-0320	5"
KW-6542-0335	M66-6542-0335	5"



Volvo/Mack

PART NO.	SIMILAR TO	DIAMETER
VG-1403	21051403	5"
VG-8532	21428532	5"
VG-8534	21428534	4" & 5"



Flex Hose, Marmon Flanges, & Flares

Flex Hose

NEW generation of leak resistant stainless flex that works well on the 2007+ engines. Has both great torsional and length movement. Diameter and length part numbers are on pgs. 78 & 79 in the flex hose section.



TYPE SSS (33% THICKER) 4 PLY
• SPECIAL INTERLOCKED PROFILE •

Marmon Flange & Flares

These are used to join parts together for leakproof and serviceable connections with a 304SS VBand Clamp.



TUBE DIAMETER	FLARE PART NO.	V BAND CLAMP PART NO.	FLANGE PART NO.
2.5"	39659-L	VB-300C	42315-L
4"	39660-L	VB-475C	41967-L
5"	39392-L	VB-588C	41968-L

Ceramic Coated & Lined Pipes/Chrome Stacks



WHY CERAMIC COATING?

1. Ceramic coating is used by the OE's extensively on 2007 & newer exhaust.
2. Ceramic coating is recommended for parts that are exposed to extreme heat.
3. Ceramic lined is used inside of chrome stacks to reduce the outside temperature of the pipe. Letting you use a chrome pipe on 2007 & newer trucks.
4. Ceramic lined will increase the longevity of the chrome stack.
5. Ceramic coating produces more usable power.
6. Ceramic coating protects parts from thermal fatigue.

DEALERS & DISTRIBUTORS CONTACT US FOR QUOTE & LEAD TIME!

Ceramic Lined and/or Coated

CL - Ceramic Lined

We can add ceramic lining to a CHROME pipe. Use our high quality chrome parts on your 2007+ truck.

CC - Ceramic Coated

Coats the exterior of any part for a true Thermal Barrier. Keeps hot temperatures INSIDE the pipe to help with emissions and keeps cab floors, wires, & hoses cool

CL/CC - Ceramic Lined AND Ceramic Coated

Line and Coat pipe for the Ultimate in Thermal Barrier.

Call for Price and Availability, plus more details