

CONNECTORS, REDUCERS & REPAIR SECTIONS

Straight Tubing

TUBING O.D. - O.D.



DIA.	LENGTH	PLAIN PART NO.*	ALUMINIZED PART NO.
2"	120"	-	S2-120SBA
2.5"	120"	-	S25-120SBA
3"	120"	S3-120SB	S3-120SBA
3.5"	120"	S35-120SB	S35-120SBA
4"	120"	S4-120SB	S4-120SBA
5"	120"	S5-120SB	S5-120SBA
6"	120"	S6-120SB	S6-120SBA
7"	120"	S7-120SB	S7-120SBA
8"	120"	-	S8-120SBA
10"	120"	-	S10-120SBA
4"	168"	-	S4-168SBA
5"	168"	-	S5-168SBA

* This WILL Rust Very Fast

ALUMINIZED STEEL TUBING (one end expanded & slotted, I.D./O.D.)



SIZE	LENGTH	PART NO.
4"	120"	S4-120EXA
5"	120"	S5-120EXA

ALUMINIZED 409 STAINLESS STEEL TUBING



O.D.	GAUGE	LENGTH	PART NO.
3"	16	120"	S3-120SBS4
3.5"	16	120"	S35-120SBS4
4"	16	120"	S4-120SBS4
5"	16	120"	S5-120SBS4

TUBING I.D. - I.D.

DIA.	LENGTH	ALUMINIZED PART NO.
4"	120"	S4-120EXEXA
5"	120"	S5-120EXEXA



NOTE: Too Large for Ground Package, must ship by truck

CONNECTORS, REDUCERS & REPAIR SECTIONS

Repair Sections



- Perfect for splicing in sections
- 16ga Aluminized Steel

DIA.	LENGTH	ALUMINIZED PART NO.
3"	12"	RS-312A
3"	24"	RS-324A
3.5"	12"	RS-3512A
4"	12"	RS-412A
4"	18"	RS-418A
4"	24"	RS-424A
4"	36"	RS-436A
4"	48"	RS-448A
5"	12"	RS-512A
5"	18"	RS-518A
5"	24"	RS-524A
5"	36"	RS-536A
5"	48"	RS-548A

CONNECTORS, REDUCERS & REPAIR SECTIONS

Reducers

REDUCERS O.D. - I.D.

OD DIA.	ID DIA.	LENGTH	ALUMINIZED PART NO.	CHROME PART NO.
3"	2.5"	8"	R30-25IA	-
3.5"	3"	8"	R350-3IA	-
4"	3"	8"	R40-3IA	-
4"	3.5"	8"	R40-35IA	-
4.5"	4"	8"	-	-
5"	4"	8"	R50-4IA	R50-4IC
5"	4.5"	8"	R50-45IA	-
6"	5"	8"	R60-5IA	R60-5IC
7"	5"	8"	-	R70-5IC
8"	5"	8"	R80-5IA	-



REDUCERS I.D. - O.D.

ID DIA.	OD DIA.	LENGTH	ALUMINIZED PART NO.	CHROME PART NO.
3.5"	3"	8"	R35I-30A	-
4"	3"	8"	R4I-30A	-
4"	3.5"	8"	R4I-350A	-
4.5"	4"	8"	R45I-40A	-
5"	4"	8"	R5I-40A	R5I-40C
6"	4"	8"	R6I-40A	-
6"	5"	8"	R6I-50A	R6I-50C
7"	5"	8"	-	R7I-50C
8"	5"	8"	R8I-50A	-



CONNECTORS, REDUCERS & REPAIR SECTIONS

Reducers

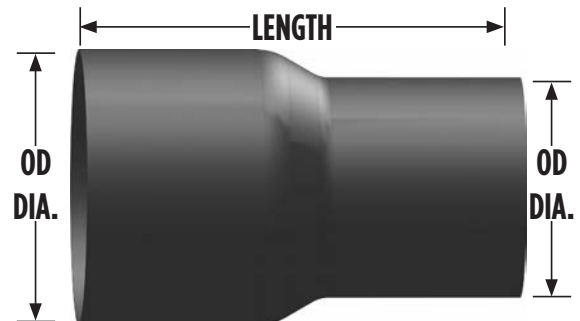
REDUCERS I.D. - I.D.

ID DIA.	ID DIA.	LENGTH	ALUMINIZED PART NO.	CHROME PART NO.
3"	2.5"	8"	R3I-25IA	
3.5"	3"	8"	R35I-3IA	-
4"	3"	8"	R4I-3IA	-
4"	3.5"	8"	R4I-35IA	-
5"	4"	8"	R5I-4IA	R5I-4IC
5"	4.5"	8"	R5I-45IA	-
6"	4"	8"	R6I-4IA	-
6"	5"	8"	R6I-5IA	R6I-5IC
7"	5"	8"	-	R7I-5IC
8"	5"	8"	R8I-5IA	-



REDUCERS O.D. - O.D.

OD DIA.	OD DIA.	LENGTH	ALUMINIZED PART NO.	CHROME PART NO.
3"	2.5"	8"	R30-250A	-
3.5"	3"	8"	R350-30A	-
4"	3"	8"	R40-30A	-
4"	3.5"	8"	R40-350A	-
4.5"	4"	8"	R450-40A	-
5"	4"	8"	R50-40A	-
5"	4.5"	8"	R50-450A	-
6"	4"	8"	R60-40A	-
6"	5"	8"	R60-50A	-
7"	5"	8"	R70-50A	R70-50C
8"	5"	8"	R80-50A	-

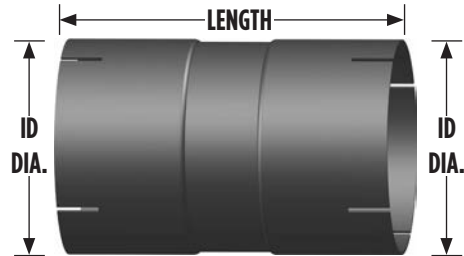


CONNECTORS, REDUCERS & REPAIR SECTIONS

Couplers and Connectors

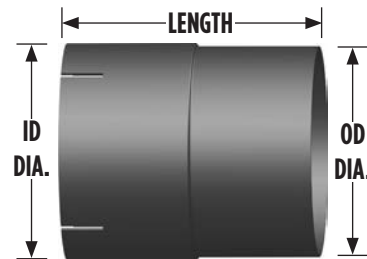
COUPLERS I.D. - I.D.

DIA.	LENGTH	ALUMINIZED PART NO.	CHROME PART NO.
2"	8"	CP-28A	—
2.25"	8"	CP-2258A	—
3"	8"	CP-38A	—
3.5"	8"	CP-358A	—
4"	8"	CP-48A	CP-48C
5"	8"	CP-58A	CP-58C
6"	8"	CP-68A	CP-68C
7"	8"	—	CP-78C
8"	8"	CP-88A	—



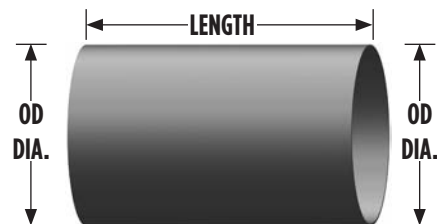
CONNECTORS I.D. - O.D.

DIA.	LENGTH	ALUMINIZED PART NO.	CHROME PART NO.
2"	8"	CN-28A	—
2.25"	8"	CN-2258A	—
3.5"	6"	CN-356A	—
4"	6"	CN-46A	—
5"	6"	CN-56A	CN-56C
6"	6"	CN-66A	—
7"	6"	CN-76A	—
8"	6"	CN-86A	—



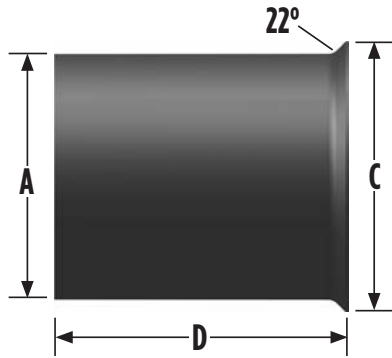
CONNECTORS O.D. - O.D.

DIA.	LENGTH	ALUMINIZED PART NO.
2.25"	8"	S225-8SBA
2.5"	8"	S25-8SBA
3"	8"	S3-8SBA
3.5"	8"	S35-8SBA
4"	8"	S4-8SBA
5"	8"	S5-8SBA
7"	8"	S7-8SBA

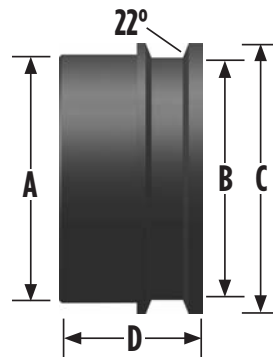


CONNECTORS, REDUCERS & REPAIR SECTIONS

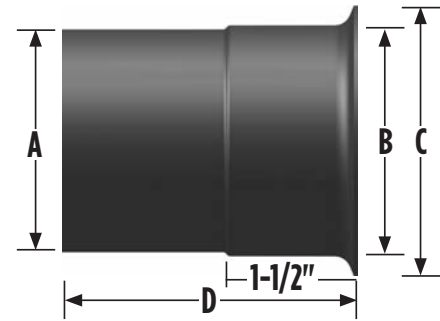
Turbo and Manifold Outlet Adapters



STYLE A



STYLE B - MACHINED

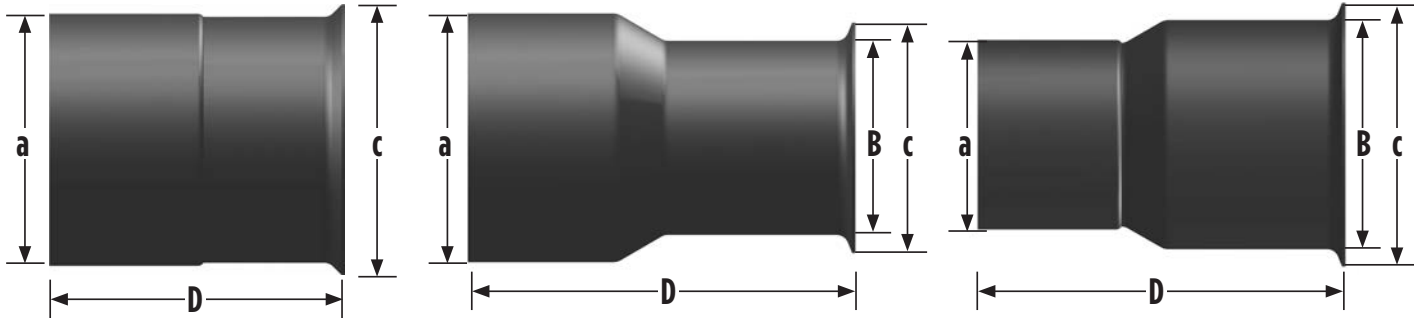


STYLE C

PART NO.	STYLE	A	B	C	D	FLARE	APPLICATION	USE WITH V-BAND CLAMP NO.	BREEZE
AD-311MF	B	2.86"OD	2.79"ID	3.114"	1.62"	22°	OE No.3910990 5.9L Cummins	VB-321C	VT-10323
AD-411MF	B	3.86"OD	3.725"ID	4.00"	2.125"	22°	OE No.3910995 8.3L Cummins	VB-413C	VT-10413
T321-2	A	2.75"OD		3.21"	2"	22°	OE No.3910990 5.9L Cummins	VB-321C	VT10321
T321-3ID	C	3"OD	3"ID	3.21"	3"	22°		VB-321C	VT10321
T375-6	A	3"OD		3.75"	6"	22°		VB-301I	VT10388
T400-6	A	3.5"OD	3.5"ID	4.00"	6"	45°	Detroit Diesel		
T407-4	A	3.5"OD	3.5"ID	4.07"	4"	22°	3208T Cat.	VB-419C	
T425-4	A	3.5"OD	3.5"ID	4.25"	4"	22°	7.3 Ford Powerstroke	VB-419C	
T450-6	A	4"OD	4"ID	4.5"	6"	45°	Cummins		VT10450
T461-4	A	4"OD	4"ID	4.61"	4"	22°	3306 Cat.	VB-461M	VT10461
T461-4	A	4"OD	4"ID	4.61"	4"	22°	Most 6 Cyl. Macks	VB-461M	VT10461
T475-4	A	4"OD	4"ID	4.75"	4"	22°	L10 Cummins & 3176 Cat	VB-475C	VT10475
T475-4	A	4"OD	4"ID	4.75"	4"	22°	8.2T Detroit Diesel, 6-71, 12V-71	VB-475D	VT10475
T525-4	B	5"OD	4.5"ID	5.25"	4.75"	22°	6V & 8V92T Detroit	VB-525D	VT10525
T550-6	A	5"OD	5"ID	5.5"	6"	45°	N14 & ISX Cummins		
T588-6 PYRO	A	5"OD	5"ID	5.88"	6"	22°	Cummins NTC	VB-588C	VT10588
T588-6	A	5"OD	5"ID	5.88"	6"	22°	3406 & C15 Cat.	VB-588C	VT10588
T588-6	A	5"OD	5"ID	5.88"	6"	22°	855 C.I. Cummins W/T50 Turbo	VB-588C	VT10588
T588-6	A	5"OD	5"ID	5.88"	6"	22°	60 Series Detroit	VB-588C	VT10588
T362-6ID	C	3"OD	3"ID	3.62"	6"	22°	Detroit Diesel 6V71		VT10382
T425-6ID	C	3.5"OD	3.5"ID	4.25"	6"	22°	Detroit Diesel 8V71		VT10450A
T475-6ID	C	4"OD	4"ID	4.75"	6"	22°	Detroit Diesel 12V71	VB-475D	VT10475

CONNECTORS, REDUCERS & REPAIR SECTIONS

Turbo and Manifold Outlet Adapters, continued



STYLE D

STYLE E

STYLE F

PART NO.	STYLE	A	B	C	D	FLARE	APPLICATION	USE WITH V-BAND CLAMP NO.	BREEZE
TURBO REPAIR FLANGES									
TRF-4625	D	4"ID	4"ID	4.625"	2"	22°	Replaces Cat No. 9N-6325	VB-461D	VT10461
TRF-475	D	4"ID	4"ID	4.75"	2"	22°	T35 Turbo, L10 & 3176	VB-475C	VT10475
TRF-588	D	5"ID	5"ID	5.88"	2"	22°	T50 Turbo, N14, ISX, 3406, C15, 60 Series	VB-588C	VT10588-1
TRF-550	D	5"ID	5"ID	5.5"	2"	22°	T50 Turbo, N14, ISX, 3406, C15, 60 Series	VB-588C	VT10588-1
TRF-450	D	4"ID	4"ID	4.5"	2"	22°	C7, 3116 & 3126 CAT	VB-461D	VT10461
TRF-425	D	3.5"ID	3.5"ID	4.25"	2"	22°	DT-466, DT-408, DT-360, VT-365	VB-350I	
T475-8E	E	5"ID	4"OD	4.75"	8"	22°	T35 Turbo, L10, 3176	VB-475C	VT10475
T588-8F	F	4"ID	5"OD	5.75"	8"	22°	T50, 3406, N14, ISX 60 Series Detroit	VB-588C	VT10588

PART NO.	DEGREE OF BEND	A	B
PB-13002	85°	6"	7"
PB-13430	58°	4-21/32"	5-21/32"
FL-16460	35°	2-1/2"	5"
KW-15565	22°	5-11/16"	5-7/16"
WS-3520	20°	3-5/16"	8-1/2"

